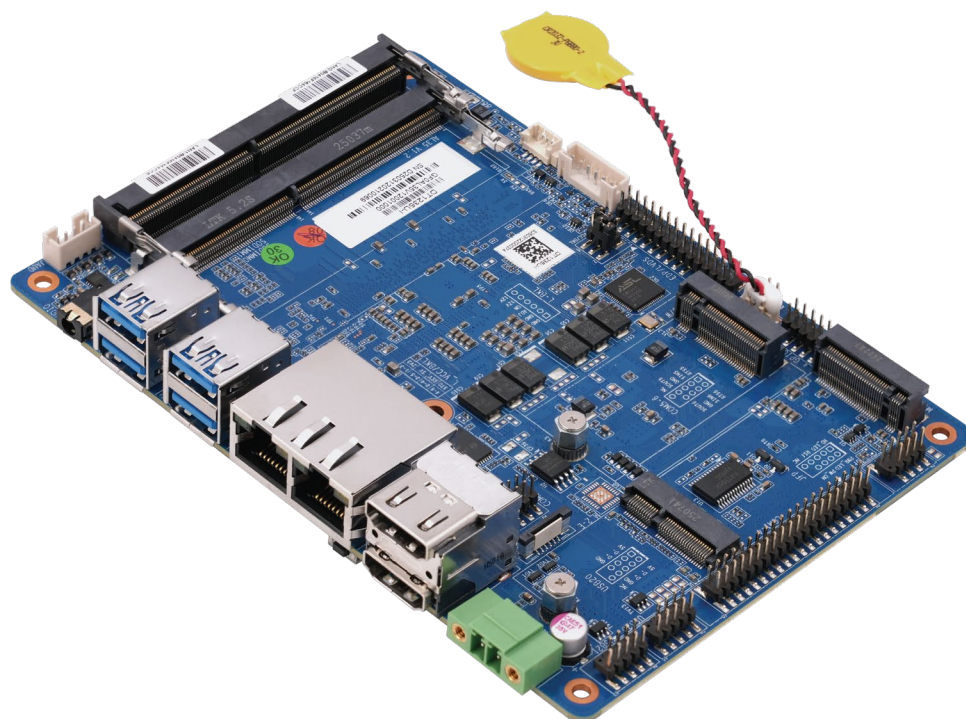


AL-35V1.0

Intel® Alder Lake/Raptor Lake U Series Processor
based Single Board Computer



Features

- CPU: Intel® Alder Lake/Raptor Lake U Series Processor
- Memory: Dual Channel SO-DIMM DDR4 up to 64GB
- Display: Integrated Intel Graphics display via 2xHDMI2.0, eDP/LVDS
- Ethernet: Intel® i219(1.0GbE)+Intel® i210(1.0GbE)
- Storage: SATA FPC, M.2 Key B Slot for SATA/4G, M.2 Key M Slot for NVMe
- Expansion: M.2 Key E Slot for Wi-Fi&BT
- Power: 12V-35V(2-Pin DC-IN Phoenix Connector)



Introduction

The Maxtang AL35V1.0 is a powerful and energy-efficient embedded motherboard designed for industrial applications. It is equipped with Intel Alder Lake/Raptor Lake U series processor and supports up to 64GB of dual-channel SO-DIMM DDR4 memory, providing enhanced performance and productivity. The board also offers a range of display options, including HDMI®, eDP, and LVDS, and features two Intel Ethernet controllers, two M.2, and SATA for storage, making it a versatile solution for a variety of applications.

Moreover, the AL35V1.0 provides a comprehensive input/output interface, including 6x COM, 4x USB3.2, 4xUSB2.0, GPIO, and an audio port, making it easy to connect to a wide range of peripherals. The board is designed for stability and reliability and is built with a robust design to withstand harsh industrial environments. As a member of the Intel IoT Solutions Alliance, Maxtang is committed to delivering high-quality products at a competitive price to meet the needs of its customers.



H/W Monitor



Watchdog



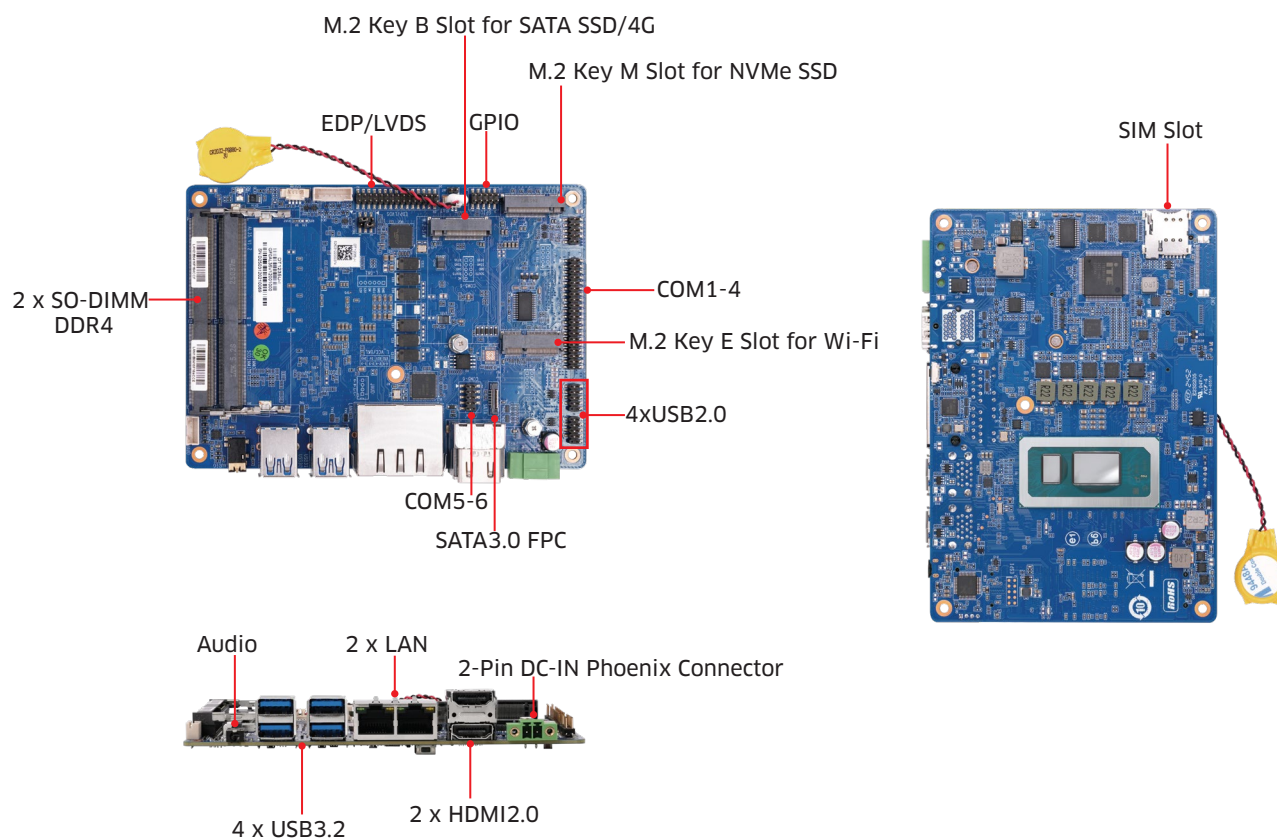
GPIO



Brightness



I/O Interfaces

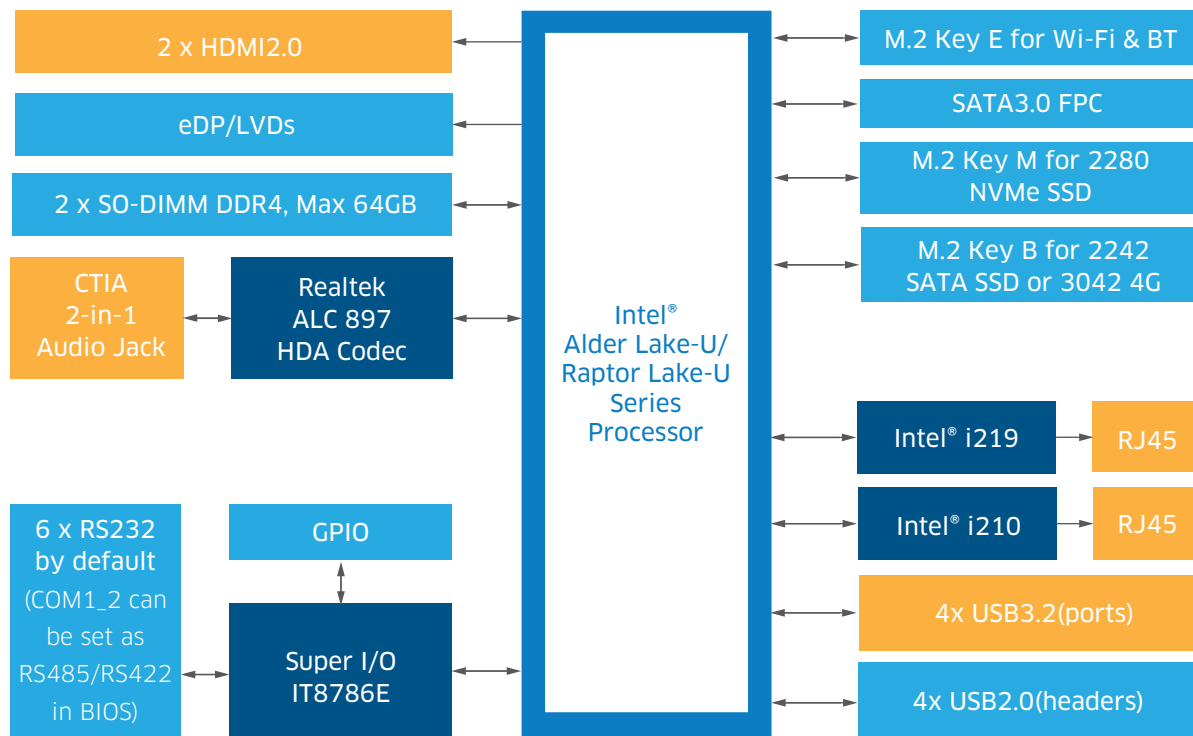


Technical Specifications

Processor	Intel® Core™ CPU	i7-1255U	i5-1235U	i3-1215U
	Total Cores/Threads	10C/12T	10C/12T	6C/8T
	P-core Max Turbo Frequency	4.70GHz	4.40GHz	4.40GHz
	E-core Max Turbo Frequency	3.50GHz	3.30GHz	3.30GHz
	Intel® Smart Cache	12MB	12MB	10MB
Memory	BIOS	AMI UEFI BIOS		
	Type	Dual Channel SO-DIMM DDR4-3200MHz		
Display	Max. Capacity	Up to 64GB		
	GPU	Integrated Intel® Iris® Xe/UHD Graphics.		
Ethernet	Interface	2 x HDMI2.0+1 x eDP/LVDS		
	Controller	1 x Intel® i219, Data Rate per Port: 1.0GbE 1 x Intel® i210, Data Rate per Port: 1.0GbE		
Audio	Interface	2 x RJ45		
	Wake on LAN	Yes		
Hardware Monitoring	Audio Codec	Realtek ALC897 High-definition Audio Codec		
	Interface	1 x CTIA 2-in-1 Audio Jack, supports Line-out + Mic-in and power amplifier		
Storage	CPU system temperature, on-board DC-in voltage, watchdog, auto power on			
	M.2_S/W	1 x M.2 Key B Slot for 2242 SATA SSD/3042 4G Module		
	M.2_N	1 x M.2 Key M Slot for 2280 NVMe SSD		
Expansion	SATA	1 x SATA3.0 FPC Interface		
	M.2_E	1 x M.2 Key E Slot for 2230 Wi-Fi and Bluetooth, Supports PCIe& CNVi		
	SIM Slot	1 x SIM Slot Optional		
Other I/O	COM	6 x RS232. COM1-2 configurable as RS422/RS485 via BIOS COM5-6: RS232 (TX/RX/GND only, no flow control)		
	USB3.2	4 x USB3.2 Gen2 10Gbps, rear ports		
	USB2.0	4 x USB2.0, onboard header		
	GPIO	8-bit		
	Dimension	Size	146 mm x 102mm	
Form Factor		3.5" SBC		
Power	Standard Port	12V-35V; 2-Pin DC-IN Phoenix Connector		
	Peripheral Input	For Fan and SATA		
Temperature	LED Indicator	Power Indicator		
	Operating Temp.	-20°C to 60°C		
Operating System	Storage Temp.	-40°C to 80°C		
		Win10/11 64bit, Linux 64bit		

* All specifications and photos are subject to change without notice.

Block Diagram



Order Information

Model Name	Description
DT1235U-I	DT Intel Core i5-1235U AL35V12 DDR4 2LAN 2DDI+LVDS 4*RS232+2*RS232/RS485/RS422
DT1215U-I	DT Intel Core i3-1215U AL35V12 DDR4 2LAN 2DDI+LVDS 4*RS232+2*RS232/RS485/RS422

*For customized options, please consult regional sales. And please confirm the model name and description before purchasing.

*The model name and description might vary due to inventory changes.

Copyright © 2025 Maxtang Technology Co., Ltd. All rights reserved. All data is for information purposes only and not guaranteed for legal purposes. Information has been carefully checked and is believed to be accurate however, no responsibility is assumed for inaccuracies. Maxtang and the Maxtang logo and all other trademarks or registered trademarks are the property of their respective owners and are recognized. The terms HDMI, HDMI High-Definition Multimedia Interface, HDMI Trade dress, and HDMI Logos are trademarks or registered trademarks of HDMI Licensing Administrator, Inc.

Maxtang®

MAXIMIZING YOUR COMPUTING PRODUCTIVITY

SHENZHEN MAXTANG COMPUTER CO., LTD.

303, 3/F, Building 2, Runzhi R&D Center, Xin'an Street, Bao'an District, Shenzhen, 518133 China

Tel.: +86 755 86143003 | Fax: +86 755 86143003 | info@datangpc.com

www.maxtangpc.com