

IXALN-35

Intel® Alder Lake-N Series based Embedded Fanless Industrial PC



Features

- CPU: Intel® Alder Lake-N Series Processor
- Memory: Single Channel SO-DIMM DDR4 up to 32 GB
- Display: Intel Integrated Graphics, display via HDMI+DP
- Ethernet: 10/100/1000Mbps
- Storage: SATA3.0, mSATA
- Expansion: M.2 for WiFi
- Power: 12V-35V DC input, Phoenix input optional



IoT Solutions
Alliance

Industrial Solution
Builders Specialist

Introduction

The Maxtang IXALN-35 is a compact, embedded industrial PC powered by the Intel® Alder Lake-N series processor. It supports up to 8Cores 8Threads, 6M Cache, and 3.80GHz for Max Turbo frequency. Equipped 1xSO-DIMM DDR4 max to 32GB memory and a TDP rate of 6W-15W for energy saving. A rich I/O interface includes HDMI, DP, two RJ45 gigabit network controllers, six serial ports (default 4*RS232+2*RS485), and eight USB ports that suit most market requirements.

The IXALN-35 includes a comprehensive I/O interface for easy integration and a ruggedized design for harsh environments. It has a long-lasting life cycle based on its stability and reliability. It is made with an aluminum enclosure that contains a fanless structure intended to protect internal components from dust and debris in a harsh industrial environment.



H/W Monitor



Watchdog

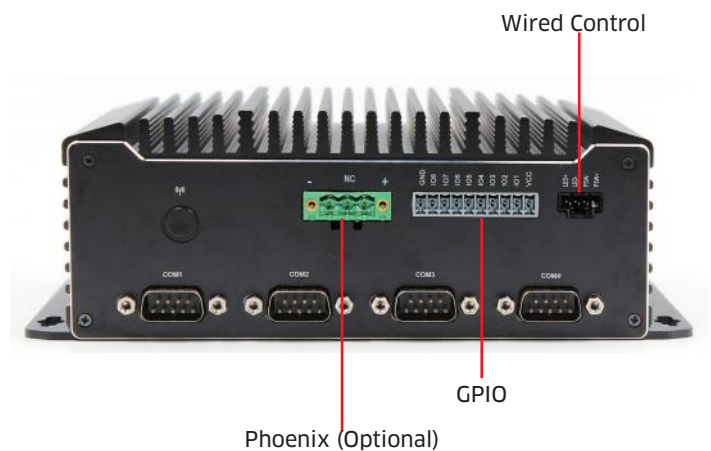
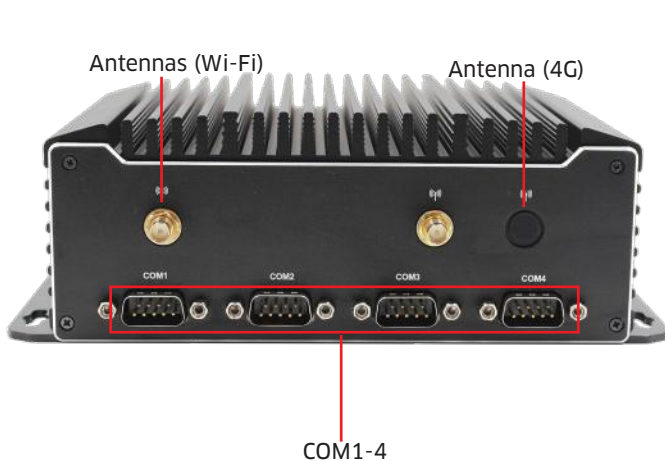
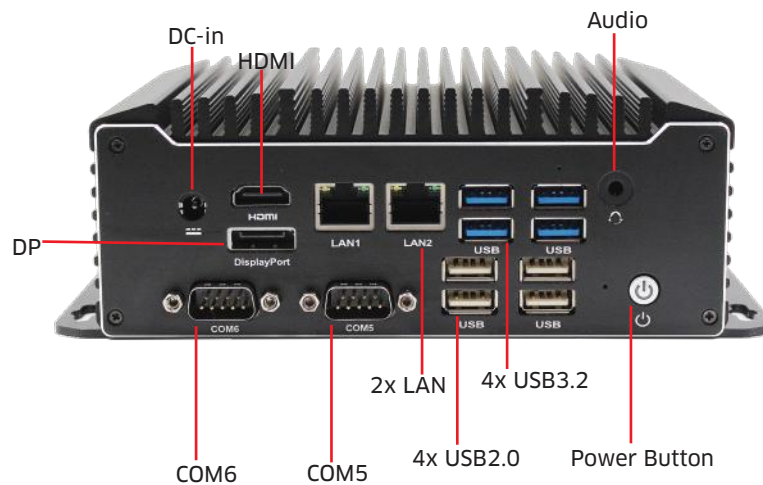


GPIO



Brightness

I/O Interfaces

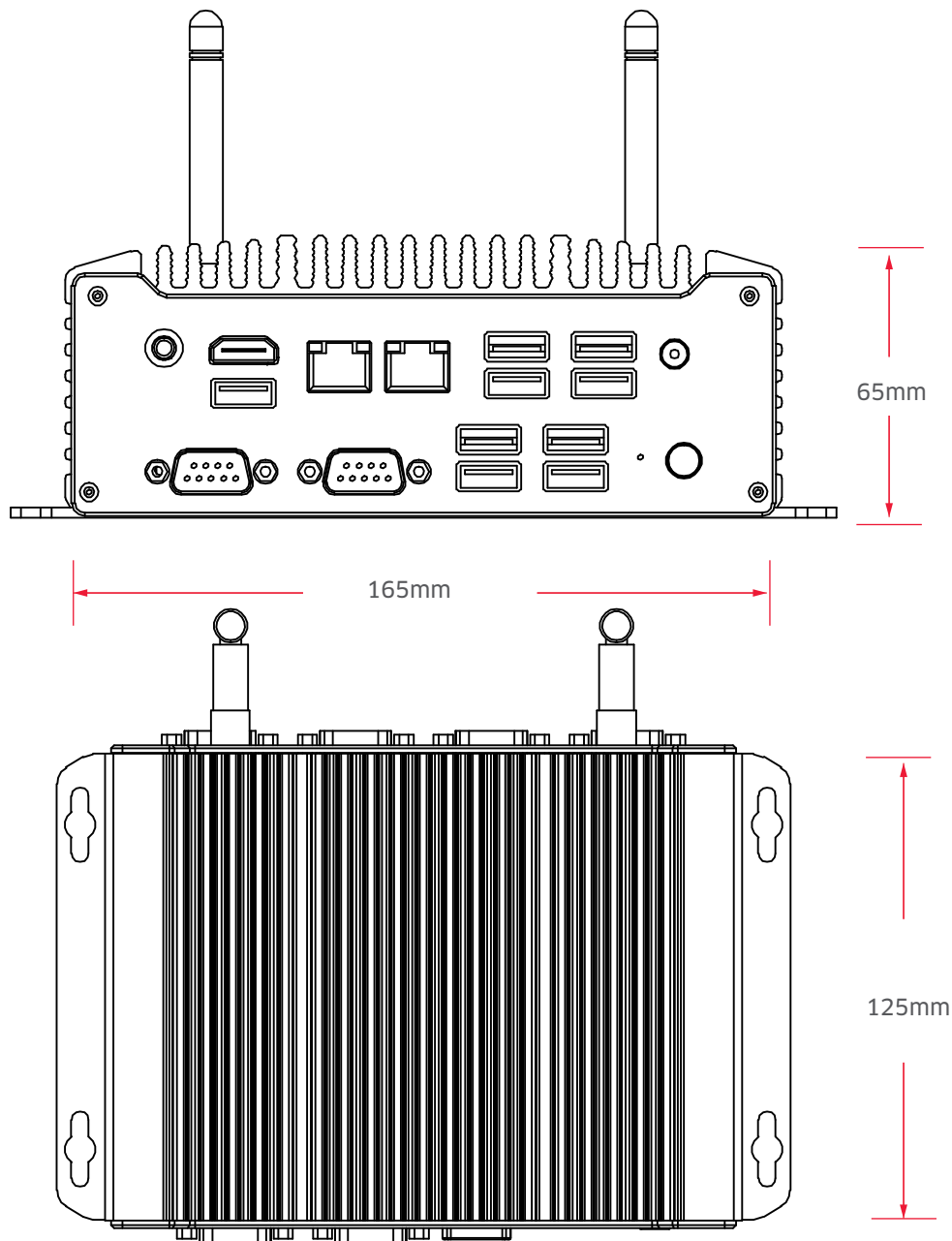


Technical Specifications

Processor	CPU	i3-N305	N100	N97	
	Total Cores/Threads	8C/8T	4C/4T	4C	
	Max Turbo Frequency	3.80GHz	3.40GHz	3.60GHz	
	Intel® Smart Cache	6MB	6MB	6MB	
	TDP	15W	6W	12W	
	BIOS	AMI UEFI BIOS			
Memory	Type	Single Channel SO-DIMM DDR4			
	Max Capacity	32GB			
Display	GPU	Intel Integrated Graphics based on CPU			
	Display via	1xHDMI2.0 + 1xDP			
Ethernet	Speed	10/100/1000Mbps			
	Controller	Intel i210			
	Interface	2x RJ45			
	Wake on LAN	Yes			
Audio	Audio Codec	Realtek HD			
	Interface	1xCTIA 2-in-1 Audio Jack			
Hardware	System temperature, Onboard voltage, Watchdog, Auto power on				
Storage	mSATA	1x mSATA for SSD/4G Module			
	SATA	1x SATA 2.5-inch HDD			
Expansion	M.2	1x M.2_E for Wi-Fi, Support CNVi			
I/O Interface	COM	6xCOM: 4*RS232+2*RS485(COM5,COM6) default, optional 6*RS232.			
	HDMI	1			
	DP	1			
	USB	4x USB2.0 + 4x USB3.2			
	LAN	2			
	Audio	1xCTIA (Line-out+Mic-in)			
	GPIO	8-bit			
	Wired Control	1			
	Dimension	Size	165mm x 125mm x 65mm		
		Power	Standard Input 12V-35V DC-IN		
	Power	Phoenix Input	16-30V Phoenix input optional		
Peripheral Input		For Fan and SATA			
LED Indicator		Power indicator			
Temperature		Operating Temp.	-20°C to 60°C		
Temperature	Storage Temp.	-40°C to 80°C			
	Cooling	Passive			
Operating System	Win10/11 64bit, Linux 64 bit				

*All specifications and photos are subject to change without notice.

Dimensions



Copyright © 2022 Maxtang Technology Co., Ltd. All rights reserved. All data is for information purposes only and not guaranteed for legal purposes. Information has been carefully checked and is believed to be accurate however, no responsibility is assumed for inaccuracies. Maxtang and the Maxtang logo and all other trademarks or registered trademarks are the property of their respective owners and are recognized.