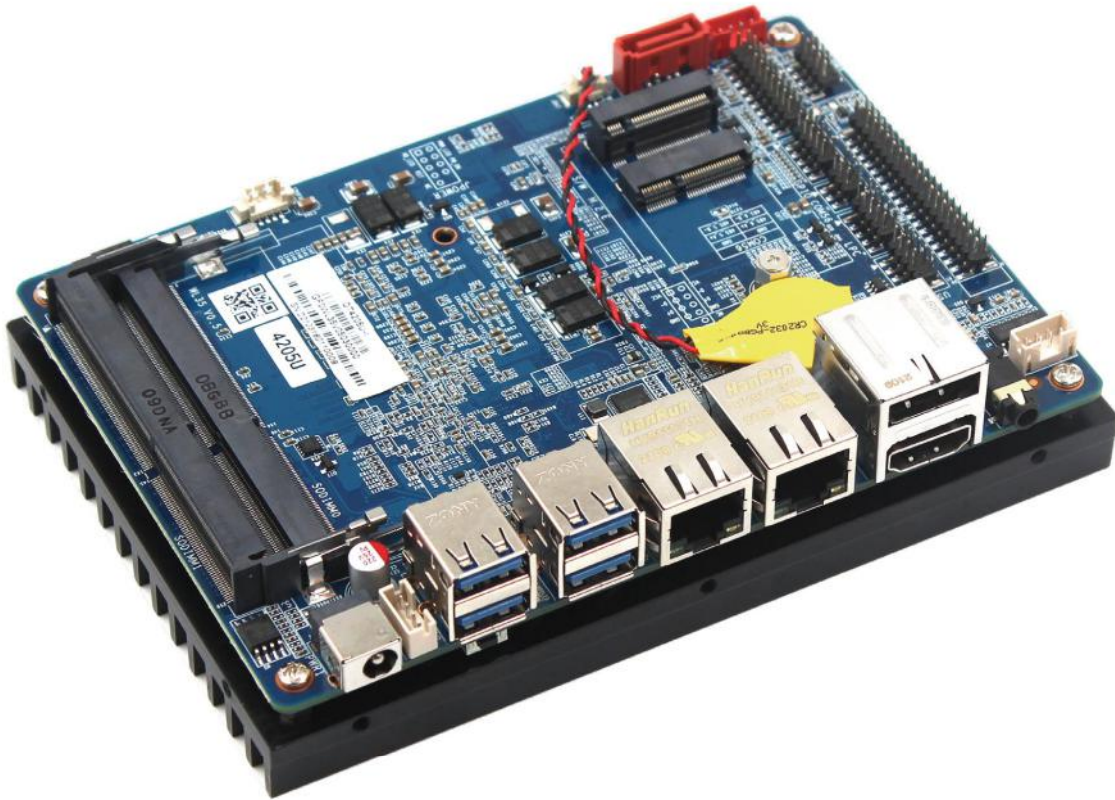


WL-35

Intel® Whiskey Lake/Comet Lake-U based 3.5" Disk Size Motherboard



Features

- CPU: Intel® Whiskey Lake/Comet Lake-U Processor
- Memory: Dual channel SO-DIMM DDR4 up to 64 GB
- Display: Intel Integrated Graphics display via HDMI, DP, eDP
- Ethernet: 10/100/1000 Mbps
- Storage: SATA3.0, M.2
- Expansion: M.2 for WiFi, Micro SIM
- Power: 12V/19V DC input



IoT Solutions
Alliance
Industrial Solution
Builders Specialist

Maxtang[®]

MAXIMIZING YOUR COMPUTING PRODUCTIVITY

Introduction

The Maxtang WL-35 is a 3.5" disk-size single-board based on the Intel Whiskey Lake/Comet Lake-U processor, provides powerful performance with low power consumption. Supports dual-channel SO-DIMM DDR4 up to 64GB, display via UHD Graphics through HDMI, DP, and eDP. Features two 10/100/1000 Mbps Ethernet controllers, M.2 for SSD/4G module, and M.2 for Wi-Fi. A rich input/output interface includes 6x COM, 6x USB, 8x GPIO, Audio Ports (Mic-in+ Line-out) with standard 12V/19V DC-in, which caters to most market requirements.

The WL-35 is an ideal solution for various industrial applications. It retains the robust design of all Maxtang product lines at a new cost-effective price point. Its powerful features can provide a great user experience, increase productivity with stability, reliability. Maxtang is a member of the Intel IoT Solutions Alliance on Industrial Solution Builders Specialist. Our goal is to provide quality products with cost advantages.



H/W Monitor



Watchdog

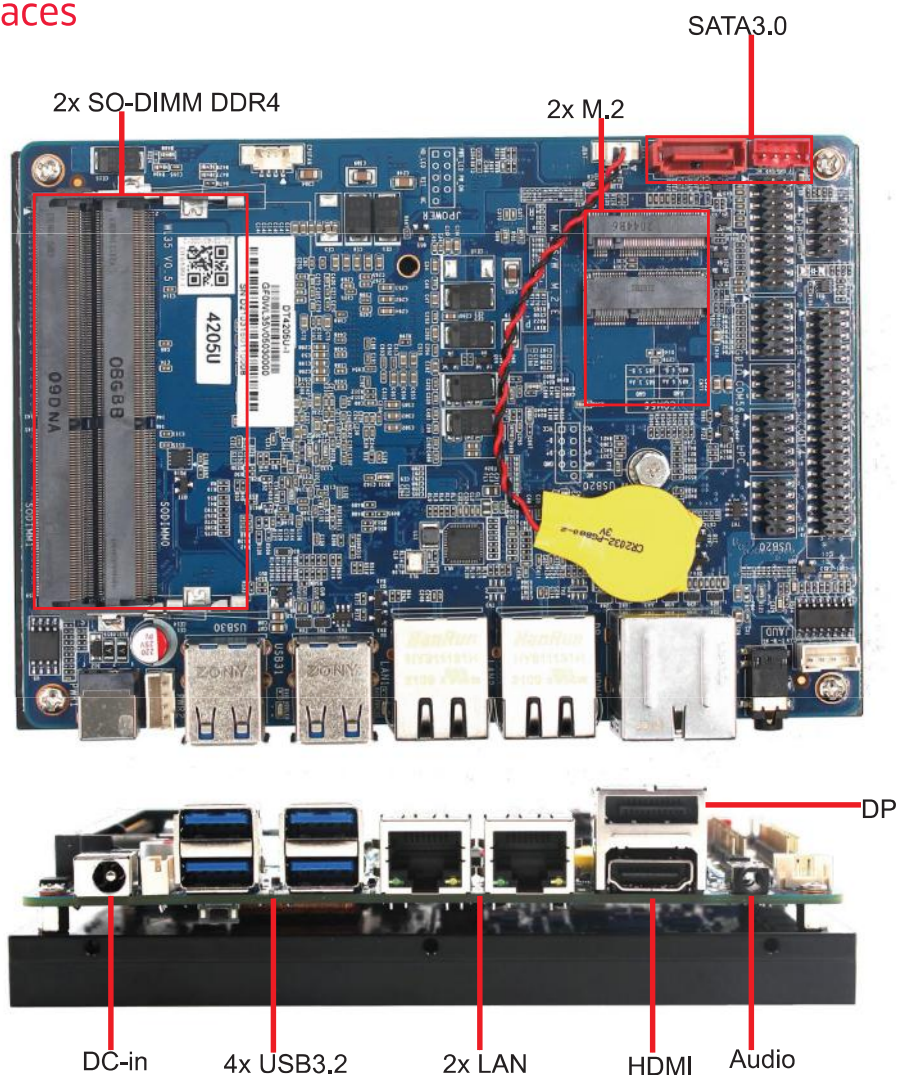


GPIO



Brightness

I/O Interfaces

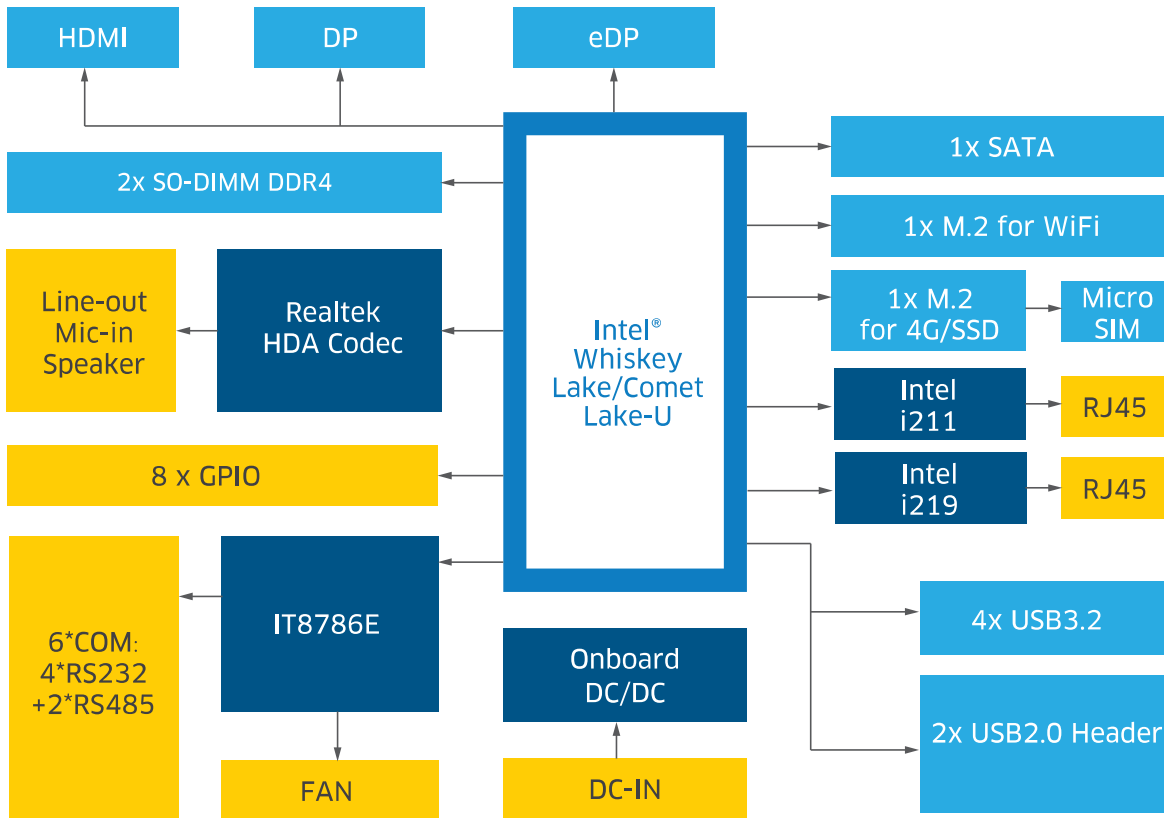


Technical Specifications

Processor	CPU	Celeron 4205U	i3-8145U	i5-8265U	i5-10210U
	Base Frequency	1.80GHz	2.10GHz	1.60GHz	1.60GHz
	Max Turbo Frequency	/	3.90GHz	3.90GHz	4.20GHz
	Cache	2MB	4MB	6MB	6MB
Memory	BIOS	AMI UEFI BIOS			
	Type	Dual Channel SO-DIMM DDR4			
	Max. Capacity	64GB			
Display	GPU	Intel Integrated Graphics based on CPU			
	Display via	1xHDMI + 1xDP + 1x eDP			
Ethernet	Speed	10/100/1000 Mbps			
	Controller	intel i211 + intel i219			
	Interface	2xRJ45			
	Wake on LAN	Yes			
Audio	vPro/AMT	Yes, based on the specified CPU and intel i219 ethernet controller			
	Audio Codec	Realtek HD			
	Interface	Line-out + Mic-in in one, support amplifier header			
Hardware	CPU system temperature, on-board DC-in voltage, watchdog, auto power on				
Storage	M.2	1x M.2 for 2242 SSD/4G			
	SATA3.0	1			
Expansion	M.2	1x M.2 for Wi-Fi			
	Micro SIM	1			
I/O Interface	LAN	2			
	COM	6*COM (4*RS232 + 2*RS485)			
	USB3.2	4			
	USB2.0	2*header			
	Audio	1 (Line-out+Mic-in)			
	GPIO	8			
	LPC	1			
	Dimension	Size	146 mm x 102mm		
Power	Board Type	3.5" Disk Size SBC			
	Standard Port	12V/19V DC-in			
	Peripheral Input	For Fan and SATA			
Temperature	LED Indicator	Power Indicator			
	Operating Temp.	-20°C to 60°C			
	Storage Temp.	-40°C to 80°C			
Operating System	Win10 64bit, Linux 64bit				

* All specifications and photos are subject to change without notice.

Functional Block Diagram



Order Information

Model Name	Description
DT4205U-I	DT 3.5INCH Intel Celeron 4205U WL35 2LAN 4*RS232 2*RS485 HDMI+DP+EDP
DT8145U-I	DT 3.5INCH Intel Core i3-8145U WL35 2LAN 4*RS232 2*RS485 HDMI+DP+EDP
DT8265U-I	DT 3.5INCH Intel Core i5-8265U WL35 2LAN 4*RS232 2*RS485 HDMI+DP+EDP
DT10210U-I	DT 3.5INCH Intel Core i5-10210U WL35 2LAN 4*RS232 2*RS485 HDMI+DP+EDP

*For customized options, please consult regional sales. And please confirm the model name and description before purchasing. *The model name and description might vary due to inventory changes.

Copyright © 2022 Maxtang Technology Co. Ltd. All rights reserved. All data is for information purposes only and not guaranteed for legal purposes. Information has been carefully checked and is believed to be accurate, however, no responsibility is assumed for inaccuracies. Maxtang and the Maxtang logo and all other trademarks or registered trademarks are the property of their respective owners and are recognized.