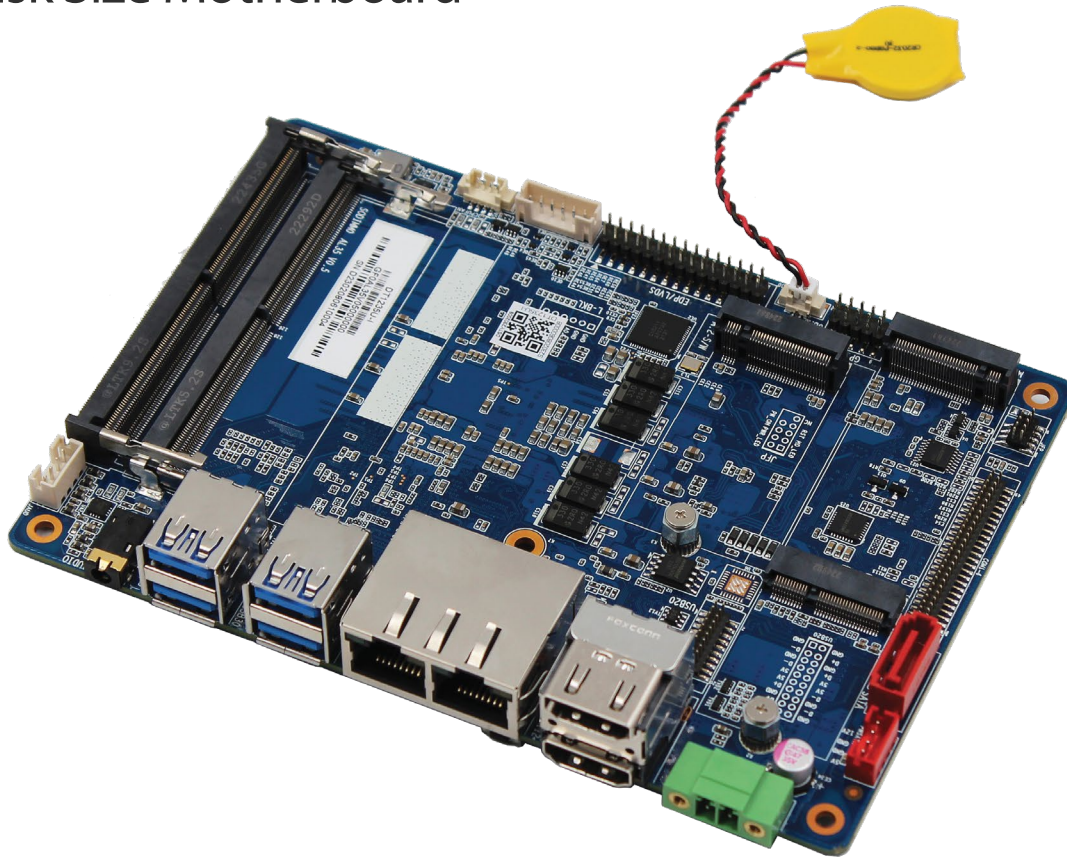


AL-35

Intel® Alder Lake-U Processor based 3.5" Disk Size Motherboard



Features

- CPU: Intel® Alder Lake-U Processor
- Memory: Dual Channel SO-DIMM DDR5 up to 64GB
- Display: Integrated Graphics display via 2xHDMI, eDP/LVDS
- Ethernet: Intel i219(1.0G)+ Intel i226(2.5G)
- Storage: SATA, M.2 for SATA/4G, M.2 for NVMe
- Expansion: M.2 for WiFi
- Power: 12V-35V Phoenix input(2Pin)



IoT Solutions
Alliance
Industrial Solution
Builders Specialist

Maxtang[®]

MAXIMIZING YOUR COMPUTING PRODUCTIVITY

Introduction

The Maxtang SBC-AL35 is a powerful and energy-efficient embedded motherboard designed for industrial applications. It is equipped with an Intel Alder Lake U series processor and supports up to 64GB of dual-channel SO-DIMM DDR5 memory, providing enhanced performance and productivity. The board also offers a range of display options, including HDMI, eDP, and LVDS, and features two Intel Ethernet controllers, two M.2, and SATA for storage, making it a versatile solution for a variety of applications.

Moreover, the SBC-AL35 provides a comprehensive input/output interface, including 6x COM, 4x USB3.2, 4xUSB2.0, 8xGPIO, and an audio port, making it easy to connect to a wide range of peripherals. The board is designed for stability and reliability and is built with a robust design to withstand harsh industrial environments. As a member of the Intel IoT Solutions Alliance, Maxtang is committed to delivering high-quality products at a competitive price to meet the needs of its customers.

I/O Interfaces



H/W Monitor



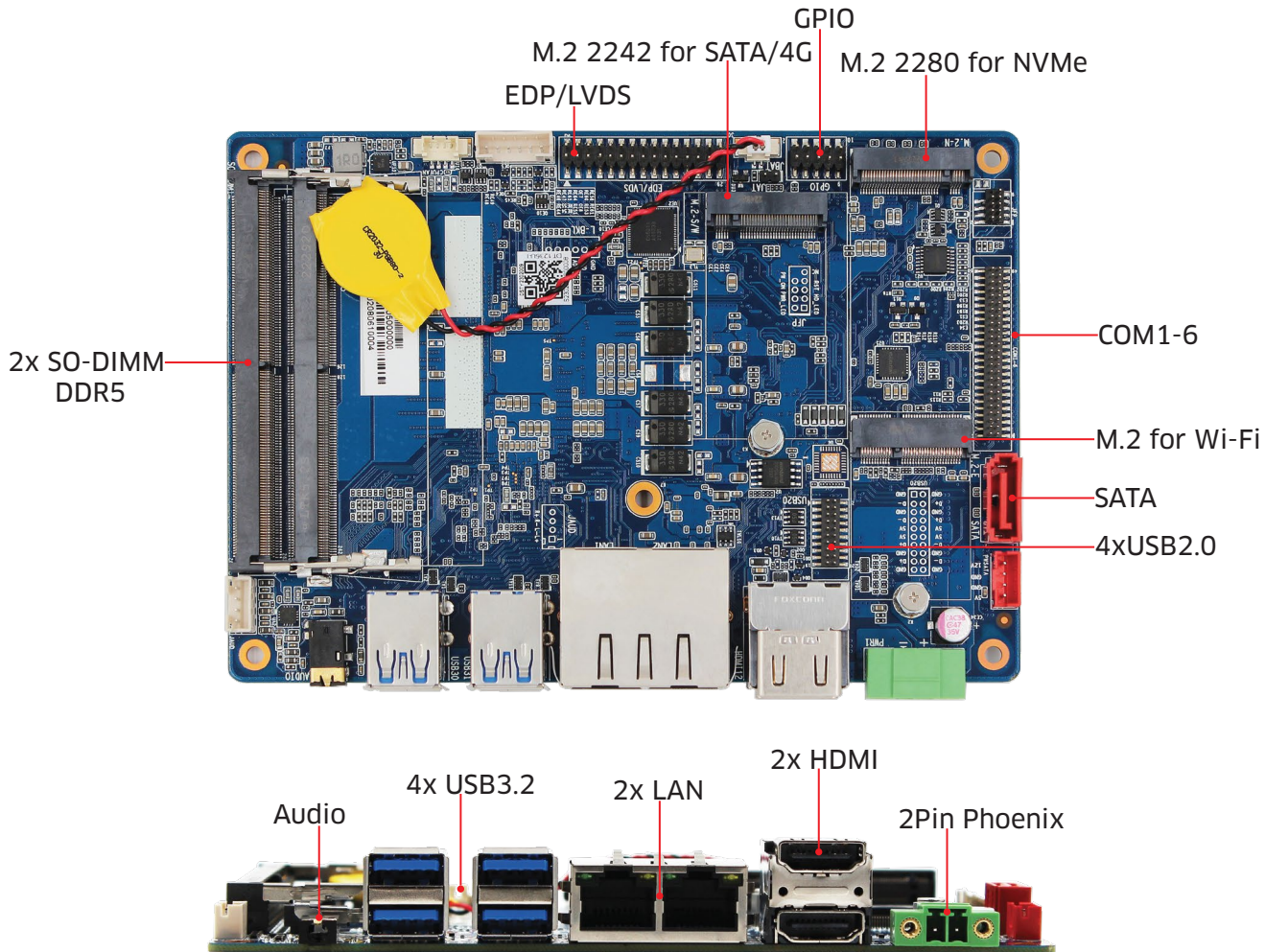
Watchdog



GPIO



Brightness

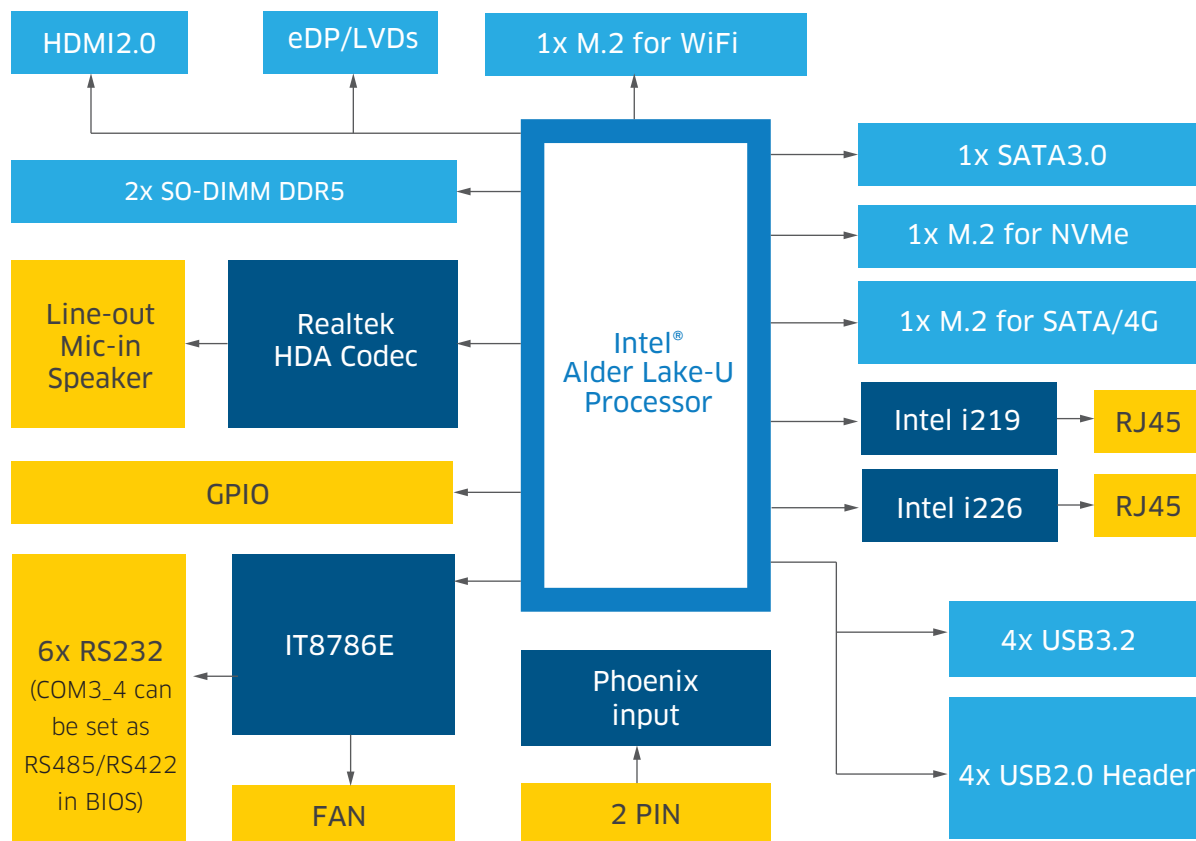


Technical Specifications

Processor	CPU	i5-1235U	
	Total Cores/Threads	10C/12T	
	Performance-core Max Turbo Frequency	4.40GHz	
	Efficient-core Max Turbo Frequency	3.30GHz	
	Cache	12MB Intel® Smart Cache	
Memory	BIOS	AMI UEFI BIOS	
	Type	Dual Channel SO-DIMM DDR5	
	Max. Capacity	64GB	
Display	GPU	Intel Integrated Graphics based on CPU	
	Display via	2xHDMI2.0 + 1x eDP/LVDS	
Ethernet	Controller	Intel i219 Data Rate per Port: 1.0G Intel i226 Data Rate per Port: 2.5G	
	Interface	2xRJ45	
	Wake on LAN	Yes	
Audio	Audio Codec	Realtek HD	
	Interface	1xCTIA Line-out + Mic-in in one, supports power amplifier	
Hardware		CPU system temperature, on-board DC-in voltage, watchdog, auto power on	
Storage	M.2	1x M.2_S/W 2242 for SATA/4G 1x M.2_N 2280 for NVMe	
	SATA3.0	1x SATA 2.5-inch HDD	
	M.2	1x M.2_E for Wi-Fi(Supports PCIE& CNVi)	
Expansion I/O Interface	LAN	2	
	COM	6*RS232(COM3_4 can be set as RS485/RS422 in BIOS) The COM5,COM6 are 2-wire serial communication	
	USB3.2	4	
	USB2.0	4*header	
	Audio	1 (Line-out+Mic-in)	
	GPIO	8	
	SIM	Optional	
	Dimension	Size	146 mm x 102mm
		Board Type	3.5" Disk Size SBC
	Power	Standard Port	12V-35V Phoenix input (2Pin)
Peripheral Input		For Fan and SATA	
LED Indicator		Power Indicator	
Temperature	Operating Temp.	-20°C to 60°C	
	Storage Temp.	-40°C to 80°C	
Operating System		Win10/11 64bit, Linux 64bit	

* All specifications and photos are subject to change without notice.

Functional Block Diagram



Order Information

Model Name	Description
DT1235U-I	DT Intel Core i5 1235U AL35V0.5 2DDR5 2LAN 6*RS232 2HDMI+LVDS

*For customized options, please consult regional sales. And please confirm the model name and description before purchasing. *The model name and description might vary due to inventory changes.