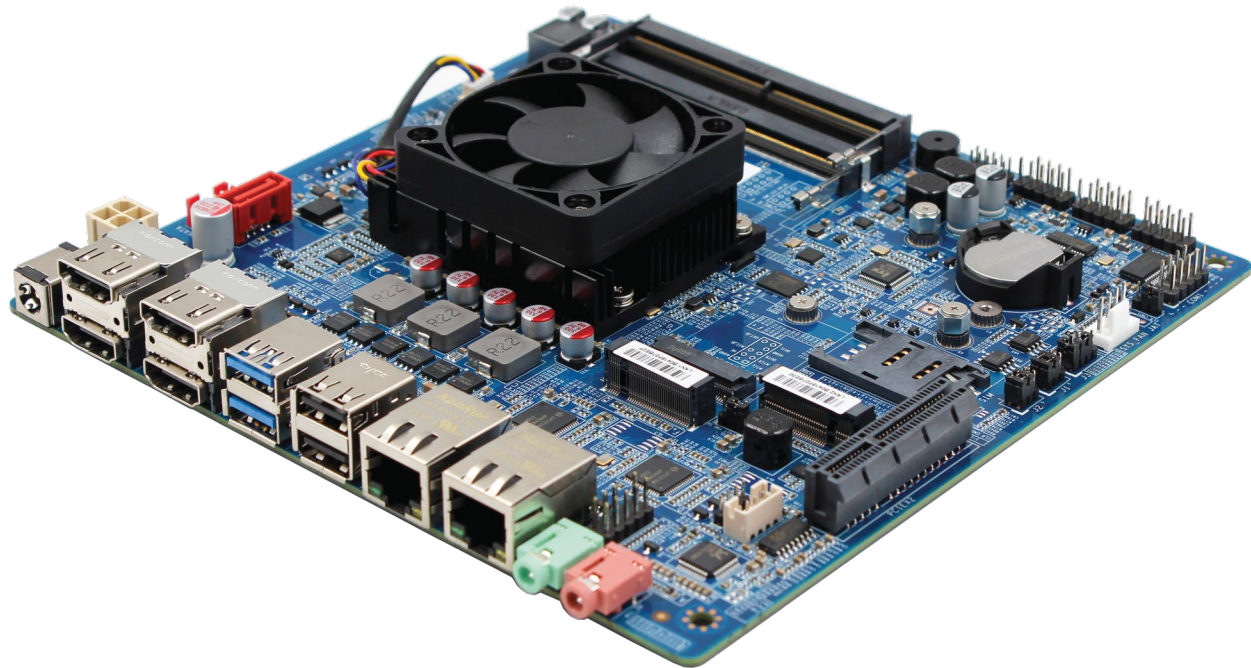


TL-10

Intel Tiger Lake-U Processor based Mini ITX Motherboard with 4 HDMI



Features

- CPU: Intel Tiger Lake-U Processors
- Memory: Dual Channel SO-DIMM DDR4 UP to 64 GB
- Display: Intel Iris Xe Graphics display via 4x HDMI
- Ethernet: 10/100/1000 Mbps
- Storage: SATA, M.2 for NVMe SSD
- Expansion: M.2 For WiFi, M.2 for 4G/5G, PCIe2X
- Power: 12V DC input



Introduction

The Maxtang mini-ITX TL10 embedded motherboard is based on Intel Tiger Lake-U processors, provides a complete PC platform with high performance. It supports 4xHDMI2.0 displays in addition to dual-channel SO-DIMM DDR4 memory. Features with two 1-Gigabit Ethernet controllers, 3x M.2 for SSD modules, Wi-Fi, 4G/5G, a rich interface as 6 x USB2.0, 2 x USB3.2, 1 x Mic-in, 1 x Line-out, caters to most market requirements.

The TL10 is an ideal solution for applications requiring high-speed communication, front-end mini-server, or high-resolution display products; like electronic gaming machines, medical imaging, interactive digital signage, thin clients, or PDS terminals. It retains the robust design just like all other Maxtang products with cost advantages.



H/W Monitor



Watchdog

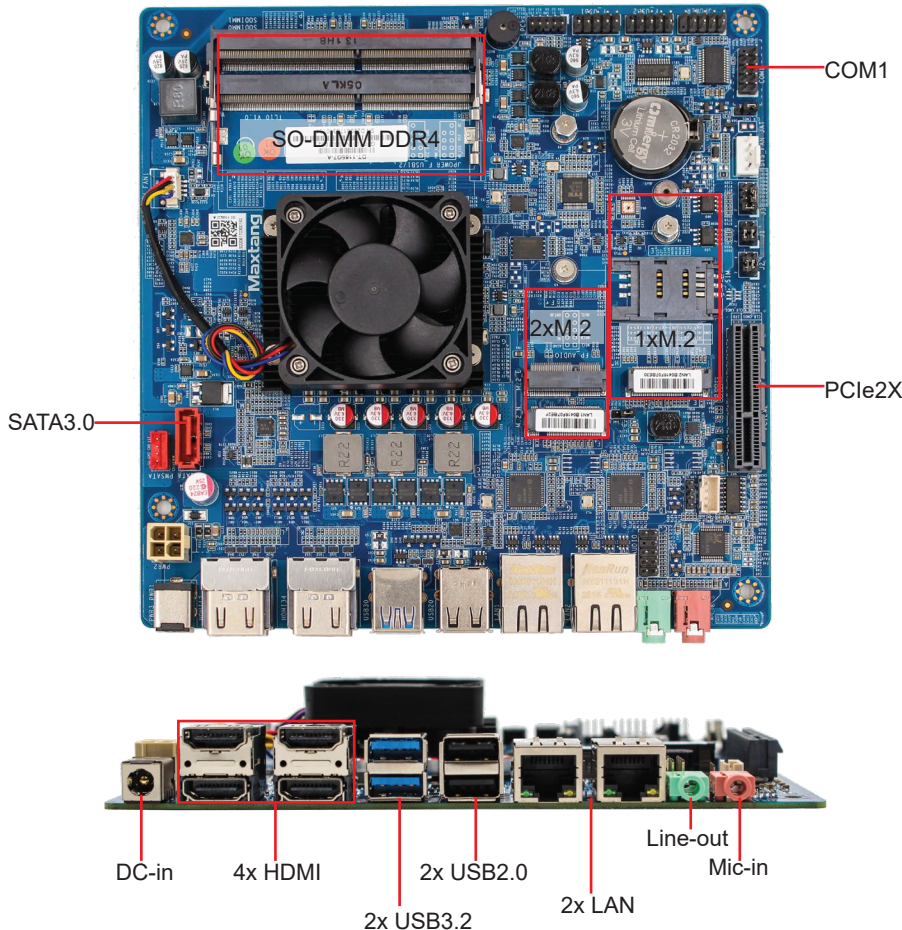


GPIO



Brightness

I/O Interfaces

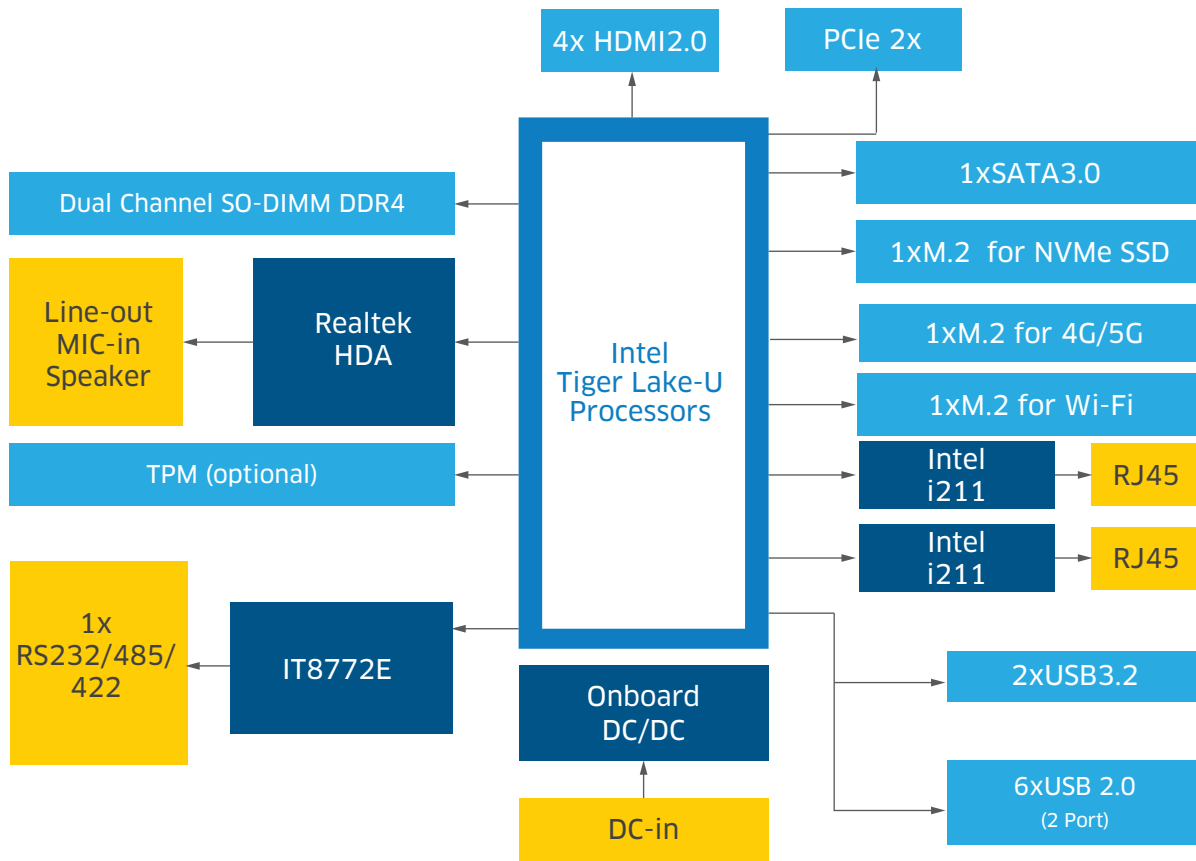


Technical Specifications

Processor	CPU	Celeron-6305	i3-1115G4	i5-1135G7	i5-1145G7	i5-11320H	i7-1165G7	
	Base Frequency	1.80GHz	3.00GHz	2.40GHz	2.60GHz	2.50GHz	2.80GHz	
	Max Turbo Frequency	/	4.10GHz	4.20GHz	4.40GHz	4.50GHz	4.70GHz	
	Cache	4MB	6MB	8MB	8MB	8MB	12MB	
	BIOS	AMI SPI BIOS						
Memory	Type	Dual Channel SO-DIMM DDR4						
	Max Capacity	64 GB						
Display	GPU	Intel® Integrated Graphics (Iris Xe/UHD Graphics depends on CPU)						
	Display via	4x HDMI 2.0, support 4 independent 4K Displays						
Ethernet	Speed	10/100/1000 Mbps						
	Controller	Intel i211						
	Interface	2xRJ 45						
Audio	Audio Codec	Realtek HD						
	Interface	Mic-in, Line-out, supports audio header and amplifier header						
Hardware	CPU System temperature, onboard voltage, watchdog							
Storage	M.2	1x M.2 for 2280 NVMe SSD						
	SATA3.0	1						
Expansion	M.2	1x M.2 for 4G/5G						
	M.2	1x M.2 for WiFi						
	PCIe 2x	1						
I/O Interface	LAN	2						
	COM	1xCOM: 1*RS232 default RS485/RS422 optional by jumper						
	USB 2.0	6xUSB2.0: 2*ports + 4*headers						
	USB 3.2	2xUSB3.2: 2*ports						
	LPC	1						
	Audio	1 x Line-out + 1 x Mic-in						
	Dimension	Size	170mm x 170mm					
		Board Type	Mini ITX					
Power	Standard Port	12V DC-in						
	Peripheral Input	For Fan and SATA						
Temperature	Operating Temp.	-20°C ~60°C						
	Storage Temp.	-40°C ~80°C						
Operating System	Windows 10/11 64 bit, Linux 64 bit							

* All specifications and photos are subject to change without notice.

Functional Block Diagram



Order Information

Model Name	Description
DT-1115G4-A	DT MINI-ITX Intel Core i3-1115G4 TL10 2LAN 4HDMI 1COM
DT-11320H-A	DT MINI-ITX Intel Core i5-11320H TL10 2LAN 4HDMI 1COM
DT-1135G7-A	DT MINI-ITX Intel Core i5-1135G7 TL10 2LAN 4HDMI 1COM
DT-1165G7-A	DT MINI-ITX Intel Core i7-1165G7 TL10 2LAN 4HDMI 1COM
DT-6305-A	DT MINI-ITX Intel Celeron 6305 TL10 2LAN 4HDMI 1COM

*For customized options, please consult regional sales. And please confirm the model name and description before purchasing. *The model name and description might vary due to inventory changes.

Copyright © 2022 Maxtang Technology Co. Ltd. All rights reserved. All data is for information purposes only and not guaranteed for legal purposes. Information has been carefully checked and is believed to be accurate however, no responsibility is assumed for inaccuracies. Maxtang and the Maxtang logo and all other trademarks or registered trademarks are the property of their respective owners and are recognized.