

# WL-35

## Intel® Whiskey Lake-U based 3.5" Disk Size Motherboard



### Features

- CPU: Intel® Whiskey Lake-U Processor
- Memory: Dual channel SO-DIMM DDR4 up to 64 GB
- Display: Intel Integrated Graphics display via HDMI, DP, eDP
- Ethernet: 10/100/1000 Mbps
- Storage: SATA3.0, M.2
- Expansion: M.2 for WiFi, Micro SIM
- Power: 12V/19V DC input



IoT Solutions  
Alliance  
Industrial Solution  
Builders Specialist

**Maxtang**<sup>®</sup>

MAXIMIZING YOUR COMPUTING PRODUCTIVITY

## Introduction

The Maxtang WL-35 is a 3.5" disk-size single-board based on the Intel Whiskey Lake-U processor, provides powerful performance with low power consumption. Supports dual-channel SO-DIMM DDR4 up to 64GB, display via UHD Graphics through HDMI, DP, and eDP. Features two 10/100/1000 Mbps Ethernet controllers, M.2 for SSD/4G module, and M.2 for Wi-Fi. A rich input/output interface includes 6x COM, 6x USB, 8x GPIO, Audio Ports (Mic-in+ Line-out) with standard 12V/19V DC-in, which caters to most market requirements.

The WL-35 is an ideal solution for various industrial applications. It retains the robust design of all Maxtang product lines at a new cost-effective price point. Its powerful features can provide a great user experience, increase productivity with stability, reliability. Maxtang is a member of the Intel IoT Solutions Alliance on Industrial Solution Builders Specialist. Our goal is to provide quality products with cost advantages.



H/W Monitor



Watchdog

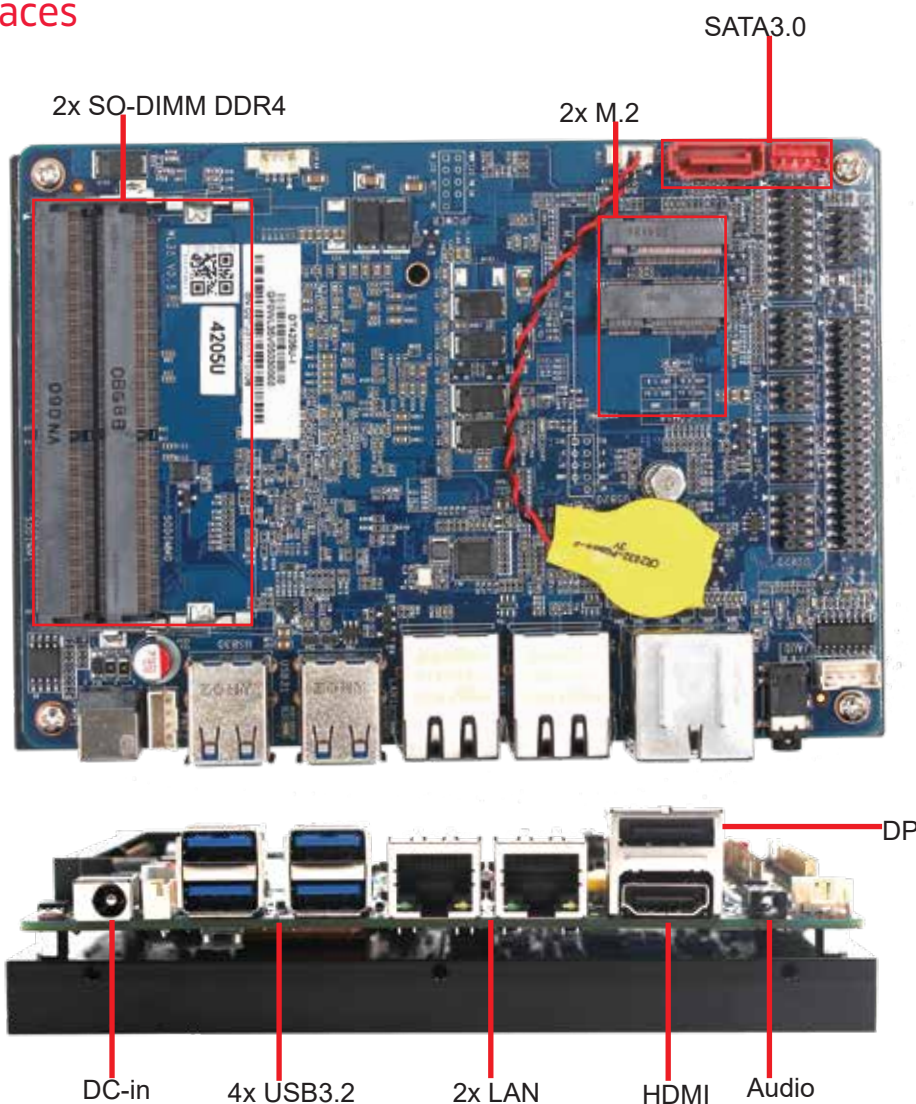


GPIO



Brightness

## I/O Interfaces

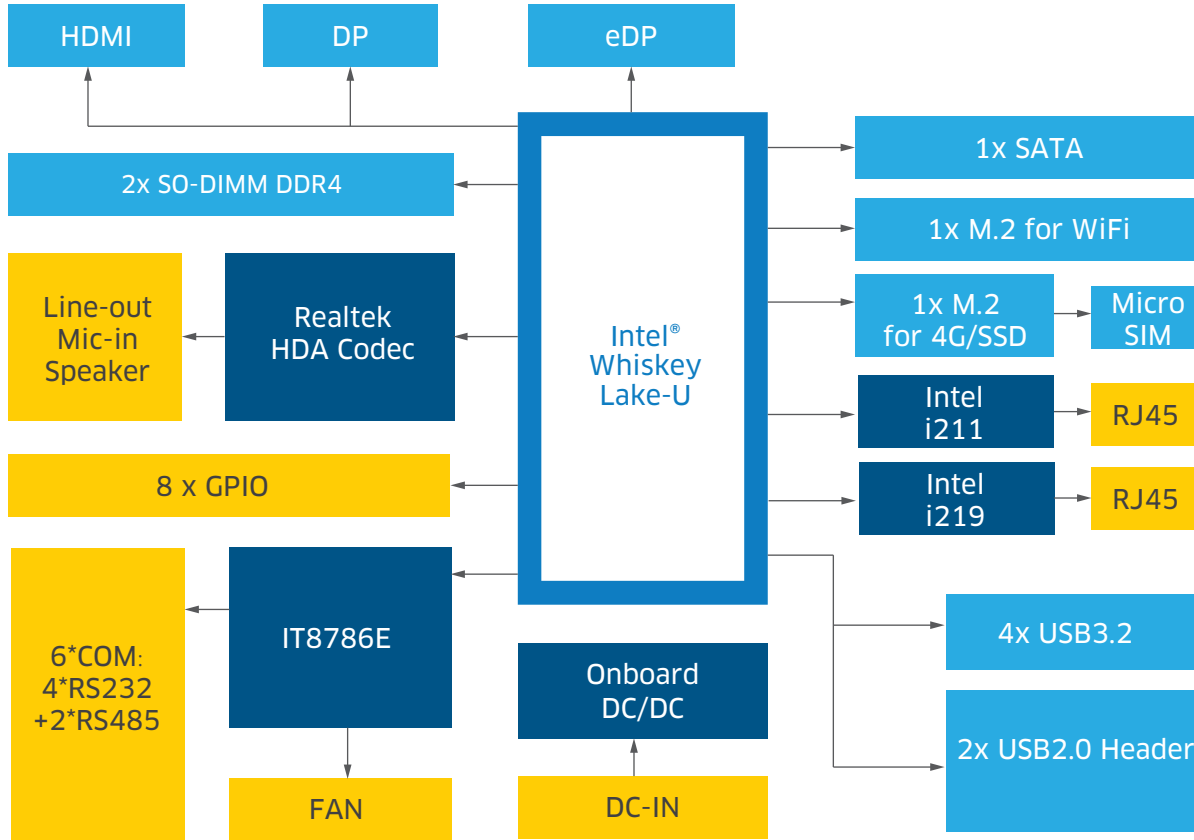


## Technical Specifications

|                  |   |  |          |          |
|------------------|---|--|----------|----------|
| Processor        | CPU   | Celeron 4205U  | i3-8145U | i5-8265U |
|                  | Base Frequency  | 1.8 GHz  | 2.10 GHz | 1.60 GHz |
|                  | Max Turbo Frequency   | /  | 3.90 GHz | 3.90 GHz |
|                  | Cache   | 2MB  | 4MB      | 6MB      |
|                  | BIOS  | AMI UEFI BIOS  |          |          |
| Memory           | Type  | Dual Channel SO-DIMM DDR4  |          |          |
|                  | Max. Capacity   | 64GB   |          |          |
| Display          | GPU   | Intel Integrated Graphics based on CPU                             |          |          |
|                  | Display via   | 1xHDMI + 1xDP + 1x eDP   |          |          |
| Ethernet         | Speed   | 10/100/1000 Mbps   |          |          |
|                  | Controller  | intel i211 + intel i219  |          |          |
|                  | Interface   | 2xRJ45   |          |          |
|                  | Wake on LAN   | Yes  |          |          |
|                  | vPro/AMT  | Yes, based on the specified CPU and intel i219 ethernet controller |          |          |
| Audio            | Audio Codec   | Realtek HD   |          |          |
|                  | Interface   | Line-out + Mic-in in one, support amplifier header                 |          |          |
| Hardware         | CPU system temperature, on-board DC-in voltage, watchdog, auto power on |  |          |          |
| Storage          | M.2   | 1x M.2 for 2242 SSD/4G   |          |          |
|                  | SATA3.0   | 1  |          |          |
| Expansion        | M.2   | 1x M.2 for Wi-Fi   |          |          |
|                  | Micro SIM   | 1  |          |          |
| I/O Interface    | LAN   | 2  |          |          |
|                  | COM   | 6*COM (4*RS232 + 2*RS485)  |          |          |
|                  | USB3.2  | 4  |          |          |
|                  | USB2.0  | 2*header   |          |          |
|                  | Audio   | 1 (Line-out+Mic-in)  |          |          |
|                  | GPIO  | 8  |          |          |
|                  | LPC   | 1  |          |          |
| Dimension        | Size  | 146 mm x 102mm   |          |          |
|                  | Board Type  | 3.5" Disk Size SBC   |          |          |
| Power            | Standard Port   | 12V/19V DC-in  |          |          |
|                  | Peripheral Input  | For Fan and SATA   |          |          |
|                  | LED Indicator   | Power Indicator  |          |          |
| Temperature      | Operating Temp.   | -20°C to 60°C  |          |          |
|                  | Storage Temp.   | -40°C to 80°C  |          |          |
| Operating System | Win10 64bit, Linux 64bit  |  |          |          |

\* All specifications and photos are subject to change without notice.

## Functional Block Diagram



## Order Information

| Model Name | Description  |
|------------|--|
| DT4205U-I  | DT 3.5INCH Intel Celeron 4205U WL35 2LAN 4*RS232 2*RS485 HDMI+DP+EDP |
| DT8145U-I  | DT 3.5INCH Intel Core i3-8145U WL35 2LAN 4*RS232 2*RS485 HDMI+DP+EDP |
| DT8265U-I  | DT 3.5INCH Intel Core i5-8265U WL35 2LAN 4*RS232 2*RS485 HDMI+DP+EDP |

\*For customized options, please consult regional sales. And please confirm the model name and description before purchasing. \*The model name and description might vary due to inventory changes.

Copyright © 2022 Maxtang Technology Co. Ltd. All rights reserved. All data is for information purposes only and not guaranteed for legal purposes. Information has been carefully checked and is believed to be accurate however, no responsibility is assumed for inaccuracies. Maxtang and the Maxtang logo and all other trademarks or registered trademarks are the property of their respective owners and are recognized.