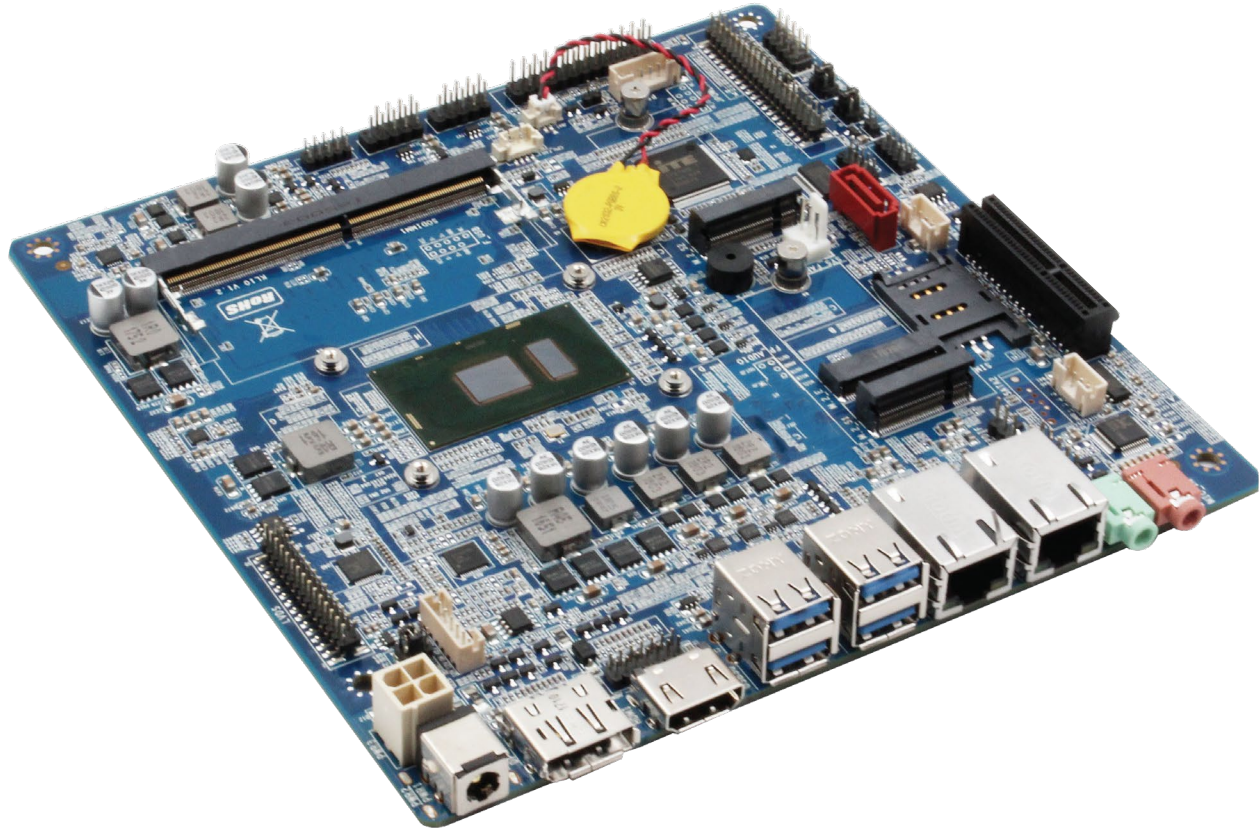


KL-10

Intel® Kaby Lake-U based Mini-ITX Motherboard



Features

- CPU: Intel Kaby Lake-U Core and Celeron Processor
- Memory: Dual channel SO-DIMM DDR4 up to 32 GB
- Display: Intel Integrated Display via HDMI, DP, eDP/LVDS
- Ethernet: 10/100/1000 Mbps
- Storage: SATA3.0, M.2
- Expansion: M.2 for WiFi, PCIe X4, eMMC Optional
- Power: 12V DC input



IoT Solutions
Alliance
Industrial Solution
Builders Specialist

Maxtang[®]

MAXIMIZING YOUR COMPUTING PRODUCTIVITY

Introduction

The Maxtang KL10 is an embedded mini ITX motherboard, supporting Intel® 7th Gen. Core + Celeron processors (BGA 1356), Celeron™ 3865U, Core™ i3-7100U, Core™ i5-7200U, and Core™ i7-7500U. The board features multiple displays via 1×DP1.2 and 1×HDMI1.4 and 1×eDP/LVDS. It carries 2×DDR4 SO-DIMM 2133MHz slots up to 32GB to add higher bandwidth and lower latencies for processes. It has 2×10M/100M/1000M BASE-T Gigabit LAN (Intel i211), 4×USB3.2, 4×USB2.0, 5×RS232, 1×RS485, 1×LPT, 1×PS2_H, 8×GPIO, catering to most requirements in the market.

This industrial mini-ITX motherboard offers a lot of functionality right off the rear panel and its internal headers. It is composed of high-quality components intended for a long-life operation that is perfect for industrial environments. It retains a robust design just like all other Maxtang products with stability, reliability, and cost advantages.

I/O Interfaces



H/W Monitor



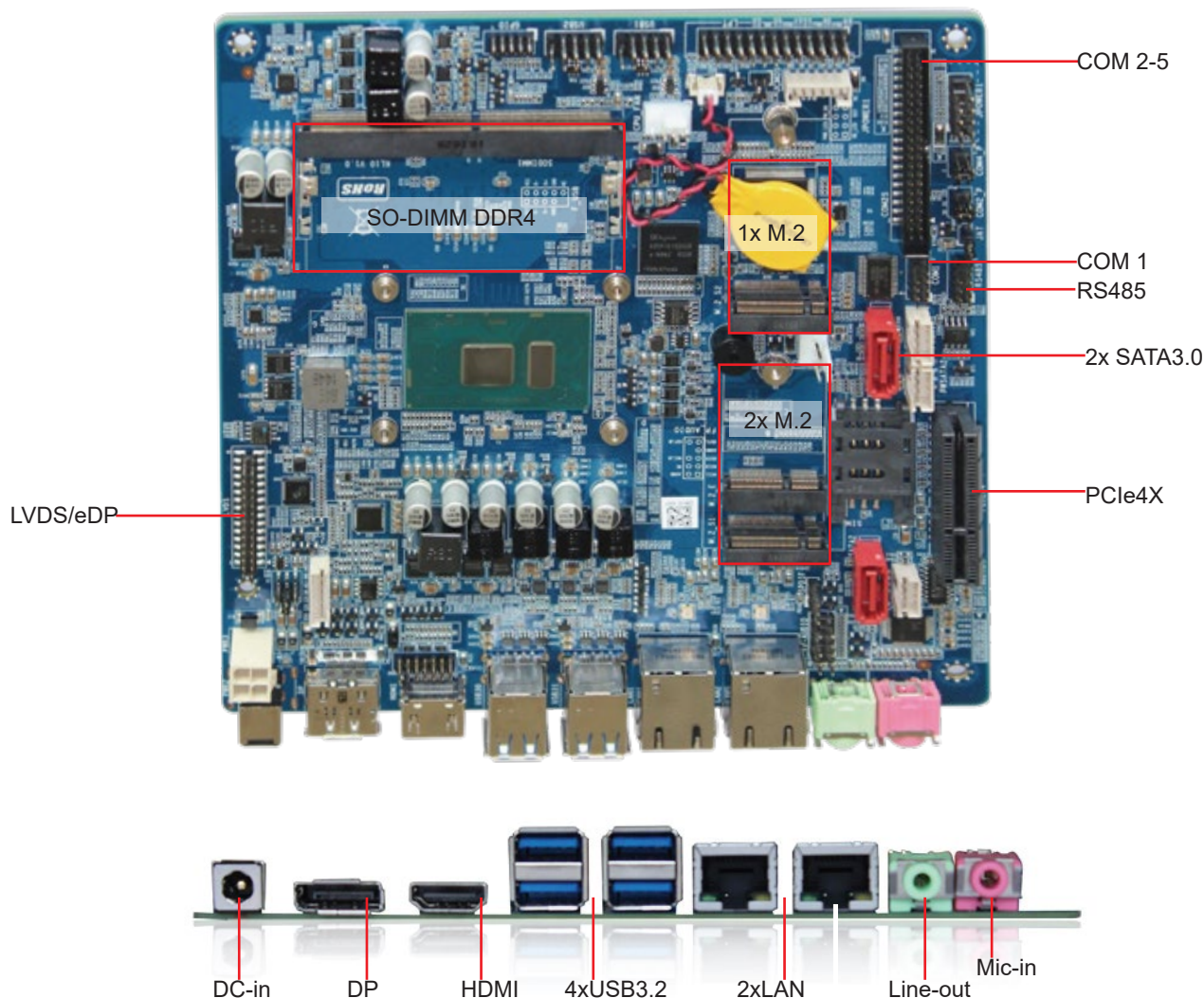
Watchdog



GPIO



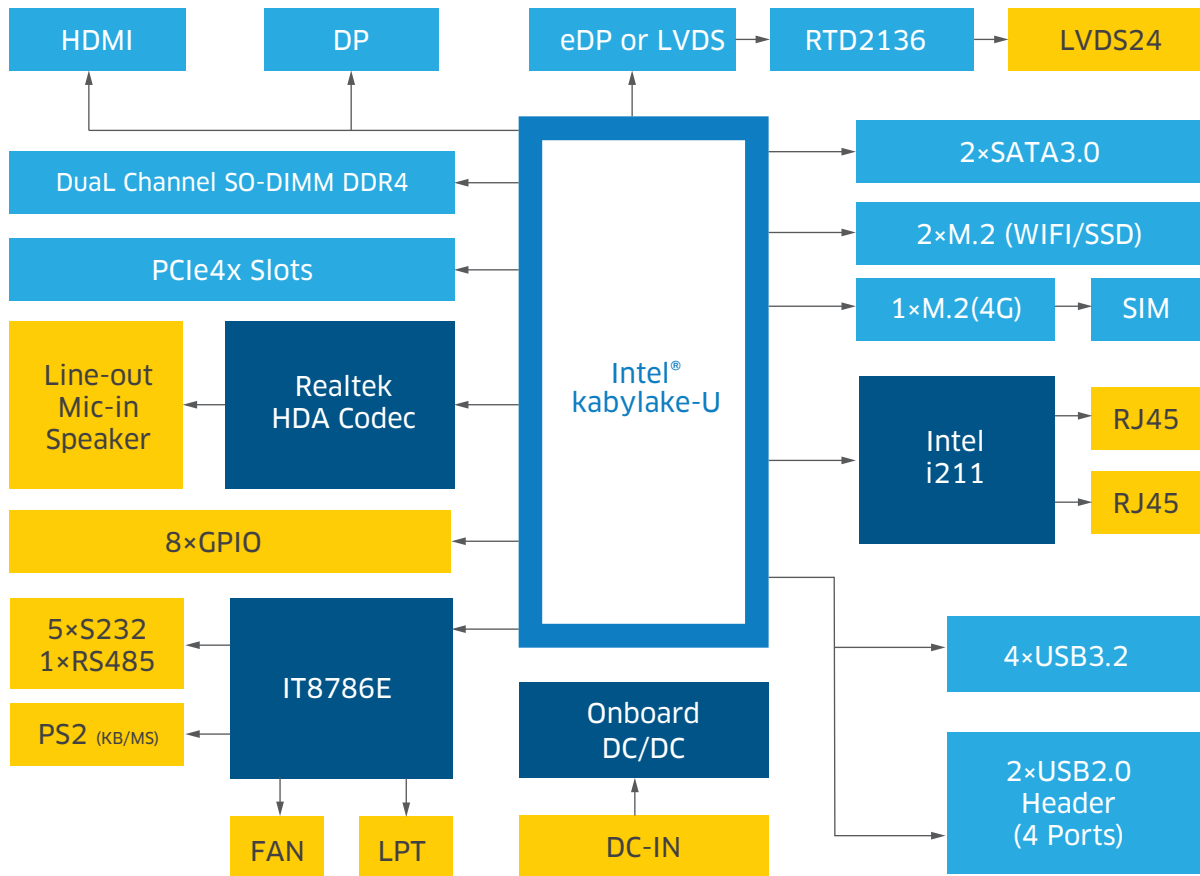
Brightness



Technical Specifications

Processor	CPU	3865U	i3-7100U	i5-7200U	i7-7500U
	Base Frequency	1.8GHz	2.4GHz	2.5GHz	2.7GHz
	Max Turbo Frequency	/	/	3.1GHz	3.5GHz
	Cache	2MB	3MB	3MB	4MB
	TDP	15W	15W	15W	15W
	BIOS	AMI UEFI BIOS			
Memory	Type	Dual Channel SO-DIMM DDR4			
	Max. Capacity	32GB			
Display	GPU	Intel HD Graphics based on CPU			
	Display via	1xHDMI + 1xDP + 1x LVDS/eDP			
Ethernet	Speed	10/100/1000 Mbps			
	Controller	Intel i211			
	Interface	2xRJ45			
	Wake on LAN	Yes			
Audio	Audio Codec	Realtek HD			
	Interface	Line-out, Mic-in, Audio header, Amplifier header			
Hardware	CPU system temperature, On-board voltage, Watchdog				
Storage	M.2	1x M.2 for 2242 SSD			
	SATA3.0	2x SATA3.0 (only 1 SATA if Celeron is on board)			
	eMMC	Optional			
Expansion	PCIe 4X	1			
	M.2	1x M.2 for WiFi			
	M.2	1x M.2 for 3G/4G Module			
I/O Interface	COM	6* header (5x RS232+1xRS485)			
	LAN	2			
	USB3.2	4			
	USB2.0	4* header			
	Audio	1x line-out, 1x mic-in			
	GPIO	8			
	PS/2	1			
	LPT	1			
Dimension	Size	170mm x 170mm			
	Board Type	Mini ITX			
Power	Standard Port	12V DC-in/4-pin power			
	Peripheral Input	For Fan and SATA			
Temperature	Operating Temp.	-20°C to 60°C			
	Storage Temp.	-40°C to 80°C			
Operating System	Windows 10 64bit, Linux 64bit				

Functional Block Diagram



Copyright © 2018 Maxtang Technology Co. Ltd. All rights reserved. All data is for information purposes only and not guaranteed for legal purposes. Information has been carefully checked and is believed to be accurate however, no responsibility is assumed for inaccuracies. Maxtang and the Maxtang logo and all other trademarks or registered trademarks are the property of their respective owners and are recognized.