

BYT-60

Intel® Bay Trail Processor based Mini ITX Motherboard



Features

- CPU: Intel Bay Trail Celeron and Atom Processors
- Memory: Single Channel SO-DIMM DDR3L up to 8GB
- Display: Intel HD Graphics via VGA, HDMI, LVDS/eDP
- Ethernet: 10/100/1000Mbps
- Storage: SATA2.0, mSATA
- Expansion: Mini PCIe, eMMC optional
- Power: 12V DC input



IoT Solutions
Alliance
Industrial Solution
Builders Specialist

Maxtang[®]

MAXIMIZING YOUR COMPUTING PRODUCTIVITY

Introduction

Powered by an Intel® Celeron® processor, the BYT60 Mini ITX motherboard is compatible with J1900, J1800, or N2940. It is rated at a TDP of 10W/ N2940 onboard at 7.5W and is adequate for power-sensitive applications with cost advantages. Supports single channel SO-DIMM DDR3L up to 8GB memory to add higher bandwidth and lower latencies for processing. Features with 1×SATA and 1×mSATA for storage, eMMC optional, and mini-PCIe for expansion.

The board supports 1080p HD display via VGA, HDMI, and eDP/LVDS. It has a maximum of 7×USB2.0, 1×USB3.2, a maximum of 2×LAN, 1×PS/2, 1×LPT, up to 6×COM, 1×mic-in, and 1×audio-out, and meets most requirements in the market. It delivers cutting-edge performance with low power consumption sustainable for multitasking and has enhanced security to help create and increase productivity. It is ideal for various applications like transportation, communication, etc.



H/W Monitor



Watchdog



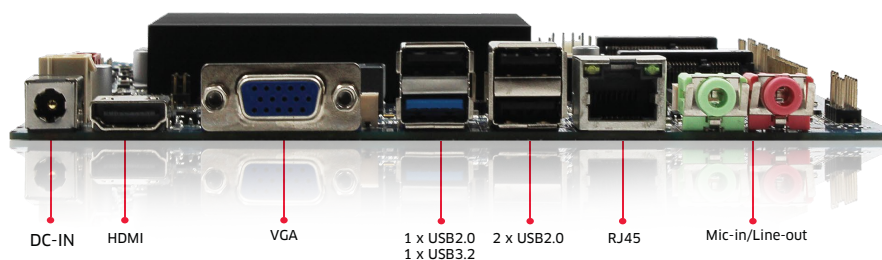
GPIO



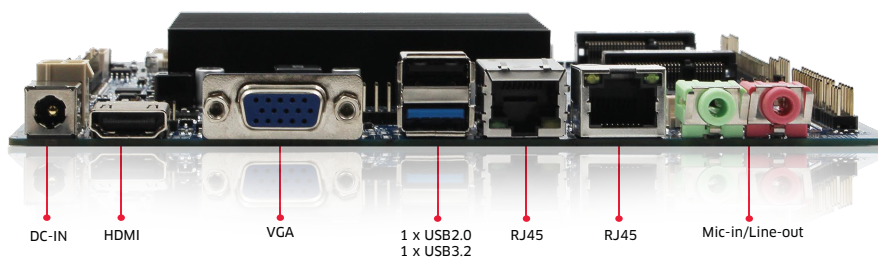
Brightness

I/O Interfaces

Option 1: 1xLAN



Option 2: 2xLAN

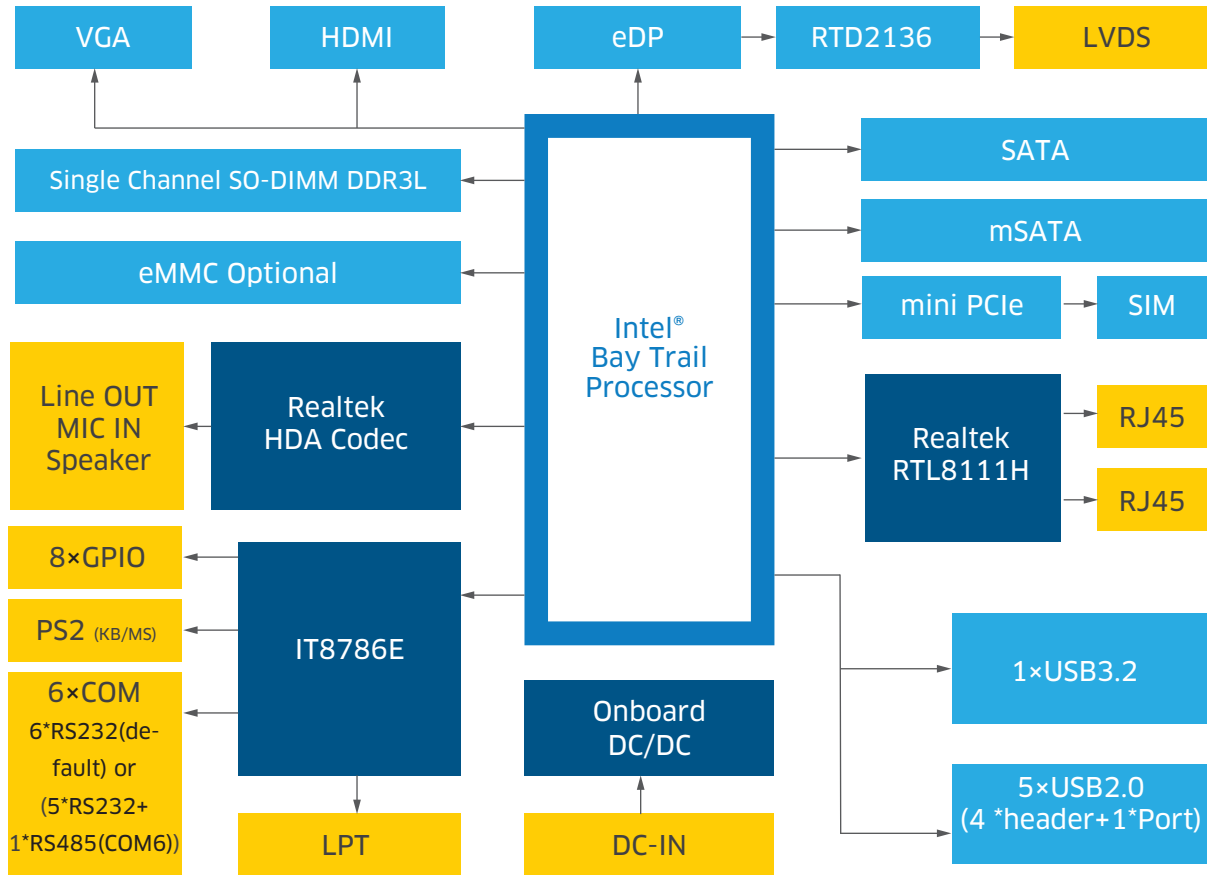


Technical Specifications

Processor	CPU	J1800(2-core)	J1900(4-core)	N2940(4-core)	
	Base Frequency	2.41GHz	2.00GHz	1.83 GHz	
	Burst Frequency	2.58GHz	2.42GHz	2.25 GHz	
	Cache	1MB	2 MB L2	2 MB L2	
	TDP	10W	10W	7.5W	
	BIOS	AMI UEFI BIOS			
Memory	Type	Single Channel SO-DIMM DDR3L			
	Max. Capacity	8GB			
Display	GPU	Intel HD Graphics			
	Display via	1xHDMI + 1xVGA + 1x eDP/LVDS			
Ethernet	Speed	10/100/1000Mbps			
	Controller	Realtek RTL8111H			
	Interface	2xRJ45 (Optional 1xLAN with 2x USB2.0 interfaces)			
Audio	Audio Codec	Realtek HD			
	Interface	Line-out, Mic-in, 1x SPDIF			
Hardware	Watchdog, Auto power on				
Storage	SATA2.0	1			
	mSATA	1			
	eMMC	Optional			
Expansion	Mini-PCIe	1			
I/O Interface	LAN	2 (Optional 1xLAN with 2x USB2.0 interfaces)			
	COM	6xCOM: 6*RS232(default) or 5*RS232+1*RS485(COM6)			
	USB3.2	1			
	USB2.0	5 (4*header+1*Port)			
	Audio	1x Line-out, 1x Mic-in			
	GPIO	8			
	PS/2	1			
	LPT	1			
	Dimension	Size	170mm x 170mm		
		Board Type	Mini ITX		
Power	Standard Port	12V DC-in/4-pin power			
	Peripheral Input	For Fan and SATA			
Temperature	Operating Temp.	-20°C to 60°C			
	Storage Temp.	-40°C to 80°C			
Operating System	Win8/10 32/64bit, Linux 32/64bit				

* All specifications and photos are subject to change without notice.

Functional Block Diagram



Order Information

Model Name	Description
DTJ1900-E	DT ITX Intel Celeron J1900 BYT60V53 2LAN 6*RS232 LVDS
DTJ1900-E-485	DT ITX Intel Celeron J1900 BYT60V53 2LAN 5*RS232 1*RS485
DTJ1900-EB	DT ITX Intel Celeron J1900 BYT60V53 1LAN 2*RS232 LVDS
DTJ1900-EA	DT ITX Intel Celeron J1900 BYT60V53 1LAN 6*RS232 LVDS

*For customized options, please consult regional sales. And please confirm the model name and description before purchasing. *The model name and description might vary due to inventory changes.

Copyright © 2018 Maxtang Technology Co. Ltd. All rights reserved. All data is for information purposes only and not guaranteed for legal purposes. Information has been carefully checked and is believed to be accurate however, no responsibility is assumed for inaccuracies. Maxtang and the Maxtang logo and all other trademarks or registered trademarks are the property of their respective owners and are recognized.