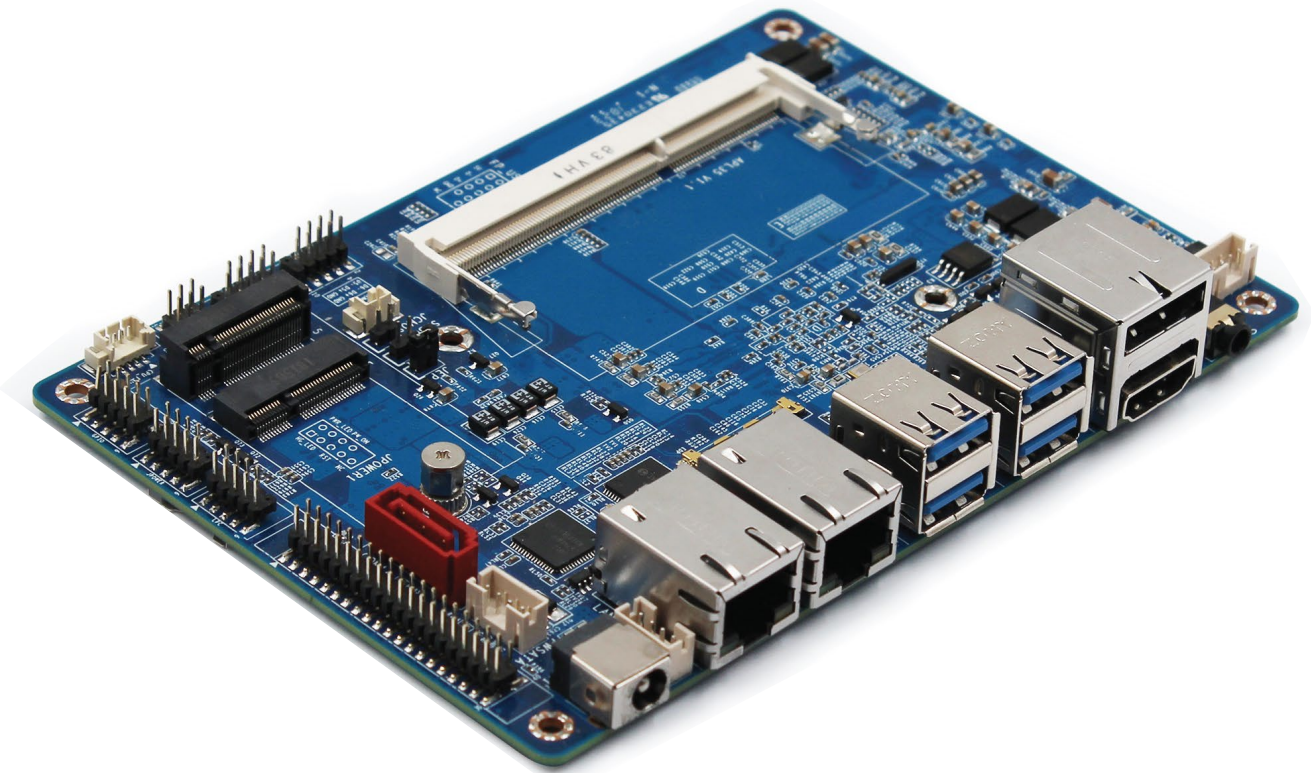


# APL-35

## Intel® Apollo Lake based 3.5" Disk Size Motherboard



### Features

- CPU: Intel Apollo Lake BGA Processors
- Memory: Single Channel SO-DIMM DDR3L up to 8 GB
- Display: Intel Integrated Graphics display via HDMI, DP, eDP/LVDS
- Ethernet: 10/100/1000Mbps
- Storage: SATA3.0, M.2
- Expansion: M.2 for WiFi, Micro SIM
- Power: 12V/19V DC input



IoT Solutions  
Alliance  
Industrial Solution  
Builders Specialist

**Maxtang**<sup>®</sup>

MAXIMIZING YOUR COMPUTING PRODUCTIVITY

## Introduction

The Maxtang SBC-APL35 is an embedded motherboard based on the Intel Apollo Lake Celeron and Pentium processor, provides powerful performance with low power consumption. Supports Single-channel SO-DIMM DDR3L up to 8GB, display via HD Graphics through HDMI, DP, and eDP/LVDS. Features two 10/100/1000 Mbps Ethernet controllers, one M.2, SATA3.0 for storage. Besides, another M.2 for WiFi, micro-SIM for expansion, eMMC optional. A rich input/output interface includes 6x COM, 4x USB3.2, 4xUSB2.0, 8x GPIO, Audio Ports (Mic-in+ Line-out) with standard 12V/19V DC-in, caters to most market's requirement.

The SBC-APL35 is an ideal solution for various industrial applications. It retains the robust design of all Maxtang product lines at a new cost-effective price point. Its powerful features provide you a great user experience, increase your productivity with stability, reliability. Maxtang is a member of the Intel IoT Solutions Alliance on Industrial Solution Builders Specialist. Our goal is to provide you the best products with high quality and cost advantages.



H/W Monitor



Watchdog

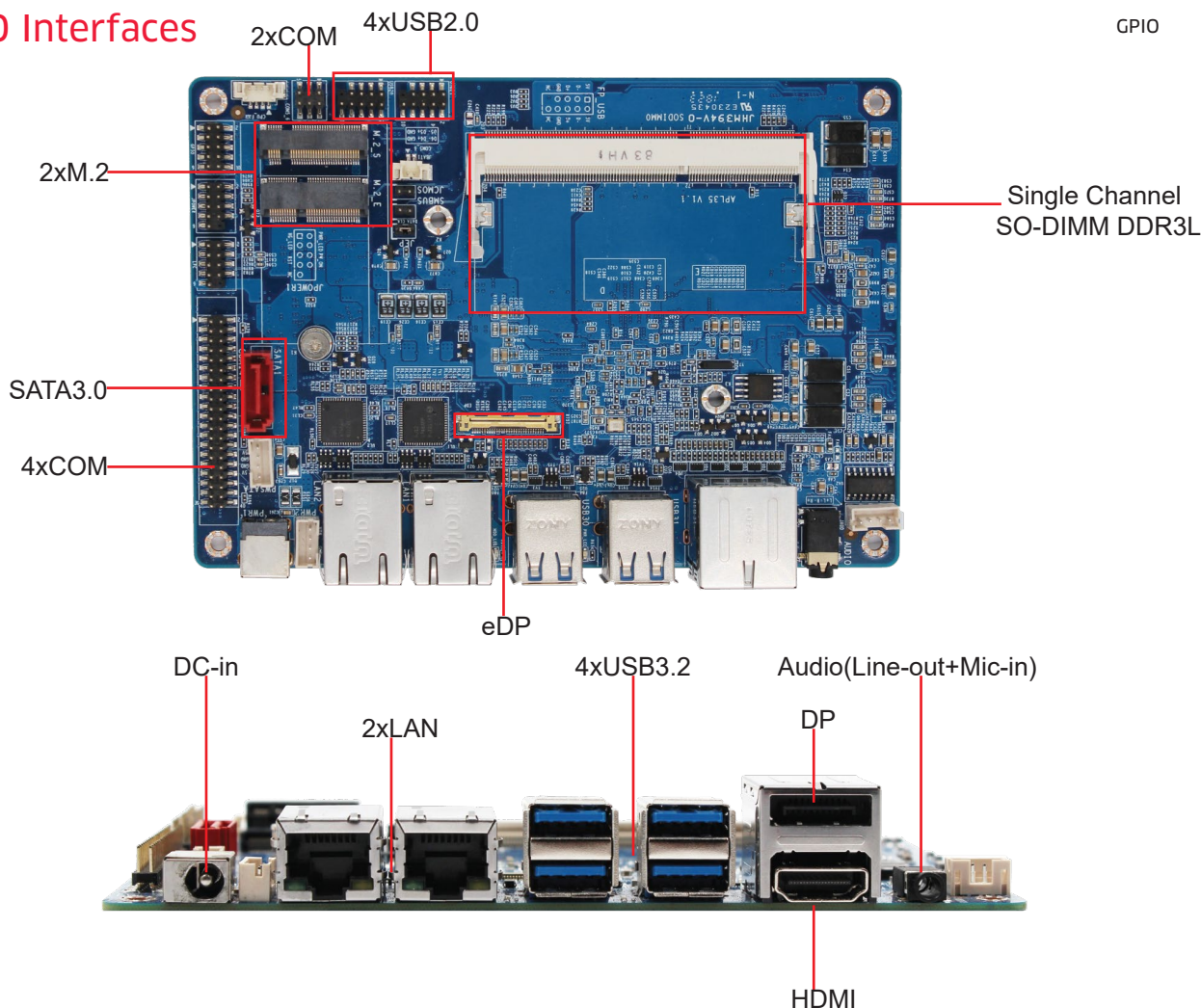


GPIO



Brightness

## I/O Interfaces

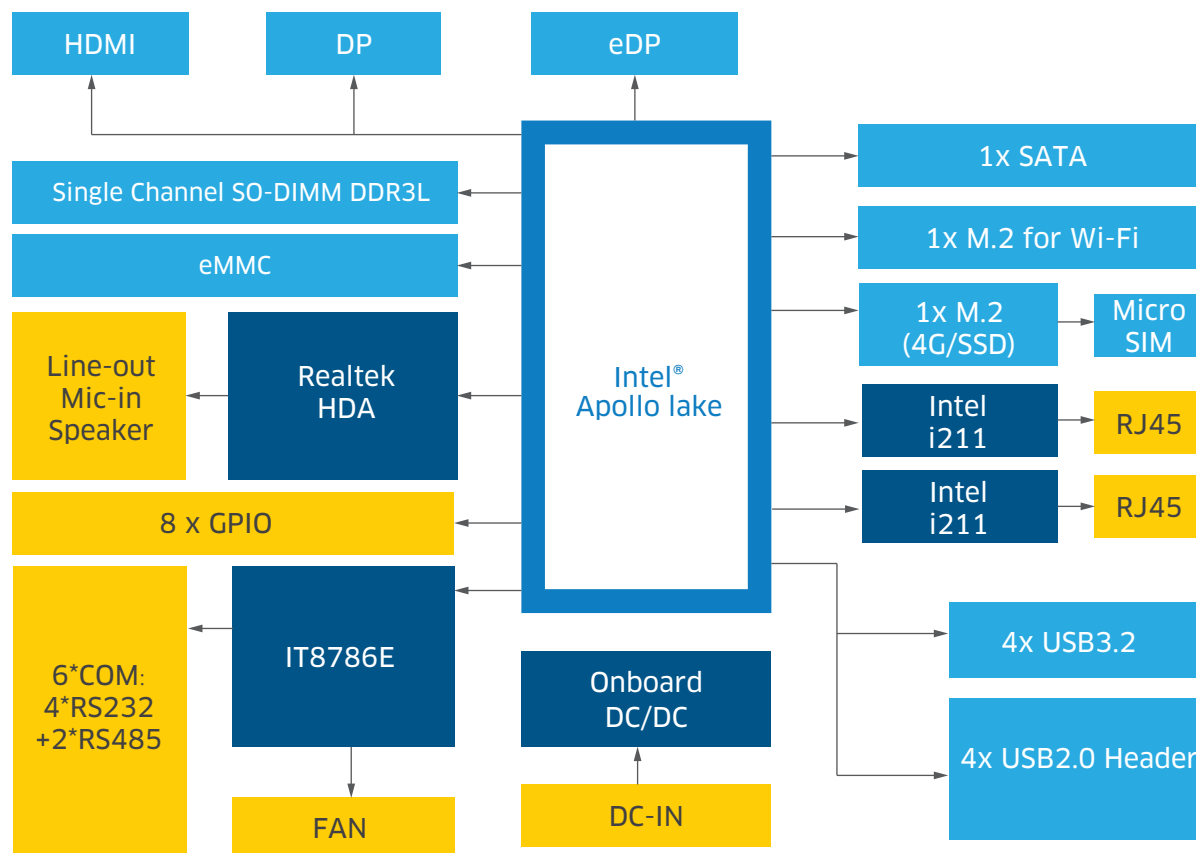


## Technical Specifications

Processor	CPU	J3355 J3455 J4205	N3350 N3450 N4200
	Base Frequency	2.0GHz 1.5GHz 1.5GHz	1.1GHz 1.1GHz 1.1GHz
	Burst Frequency	2.5GHz 2.3GHz 2.6GHz	2.4GHz 2.2GHz 2.5GHz
	Cache	2MB 2MB 2MB	2MBL2 2MBL2 2MBL2
	BIOS	AMI UEFI BIOS	
Memory	Type	Single Channel SO-DIMM DDR3L	
	Max. Capacity	8GB	
Display	GPU	Intel Integrated Graphics based on CPU	
	Display via	1xHDMI + 1xDP +1x eDP	
Ethernet	Speed	10/100/1000Mbps	
	Controller	Intel i211	
	Interface	RJ45	
	Wake on LAN	Yes	
Audio	Audio Codec	Realtek HD	
	Interface	Line-out and Mic-in in one, supports power amplifier header	
Hardware	CPU system temperature, onboard DC-IN voltage, Watchdog		
Storage	M.2	1 x M.2 for 2242 SATA SSD or 4G	
	SATA3.0	1	
	eMMC	Optional	
Expansion	M.2	1 x M.2 for Wi-Fi	
	Micro SIM	1	
I/O Interface	LAN	2	
	COM	6*COM: 4*RS232 + 2*RS485	
	USB3.2	4	
	USB2.0	4*header	
	Audio	1 (Line-out+Mic-in 2in1)	
	GPIO	8	
	LPC	Optional	
	Dimension	Size	146mm x 102mm
Power	Board type	3.5" Disk Size SBC	
	Standard Port	12V/19V DC-in /4 Pin Power	
	Peripheral Input	For Fan and SATA	
Temperature	LED Indicator	Power indicator	
	Operating Temp.	-20°C to 60°C	
	Storage Temp.	-40°C to 80°C	
Operating System	Win10 64bit, Linux		

\* All specifications and photos are subject to change without notice.

## Functional Block Diagram



## Order Information

Model Name	Description
DTJ3455-I	DT ITX Intel Celeron J3455 APL35V15 2LAN 4*RS232 2*RS485 EDP

\*For customized options, please consult regional sales. And please confirm the model name and description before purchasing. \*The model name and description might vary due to inventory changes.