

IXKL-35

Intel Skylake-U/Kabylake-U based Embedded Industrial PC



Features

- CPU: Intel Skylake-U/Kabylake-U BGA processor
- Memory: Dual Channel SO-DIMM DDR4 up to 32GB
- Display: Dual displays via HDMI, DP
- Ethernet: 10/100/1000Mbps
- Storage: 1x M.2 for 2240SSD or 4G, SATA3.0
- Expansion: 1xM.2 for WiFi, 1xSIM Slot
- Power: 12V/19V DC input, Phoenix input optional



IoT Solutions
Alliance
Industrial Solution
Builders Specialist

Introduction

The IXKL-35 is a small form factor embedded industrial PC based on Intel Skylake-U/Kabylake-U processors. It supports dual-channel SO-DIMM DDR4 up to 32GB with a TDP rate of 15W. Multiple displays via HDMI, DP, VGA optional with Intel Integrated Graphic. A rich interface includes 2xLAN, 6xCOM, 4xUSB3.2, and 4xUSB2.0 caters to most market requirements.

The IXKL-35 is fanless and ventless, designed to be used in an industrial environment as an ideal solution. It can withstand harsh environments, features extensive I/O options, with a long lifecycle for sustainable development. It has a low power consumption, great for energy saving, retains the robust design of all Maxtang product lines with cost advantages. Provides a great user experience, increases productivity with stability and reliability.



H/W Monitor



Watchdog

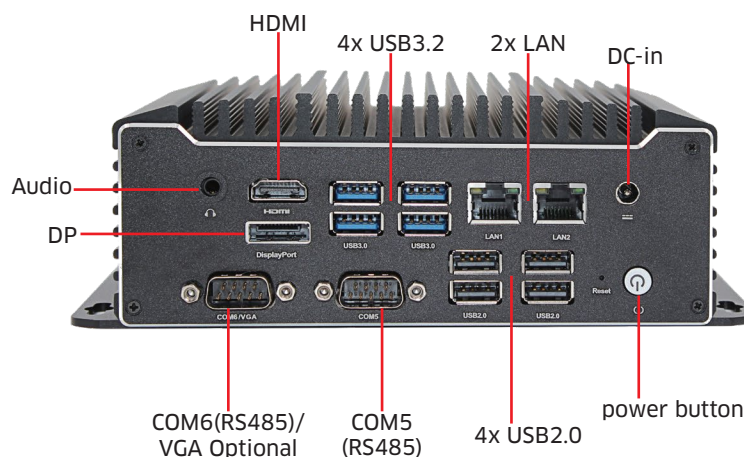


GPIO



Brightness

I/O Interfaces



COM 1-4 (RS232)



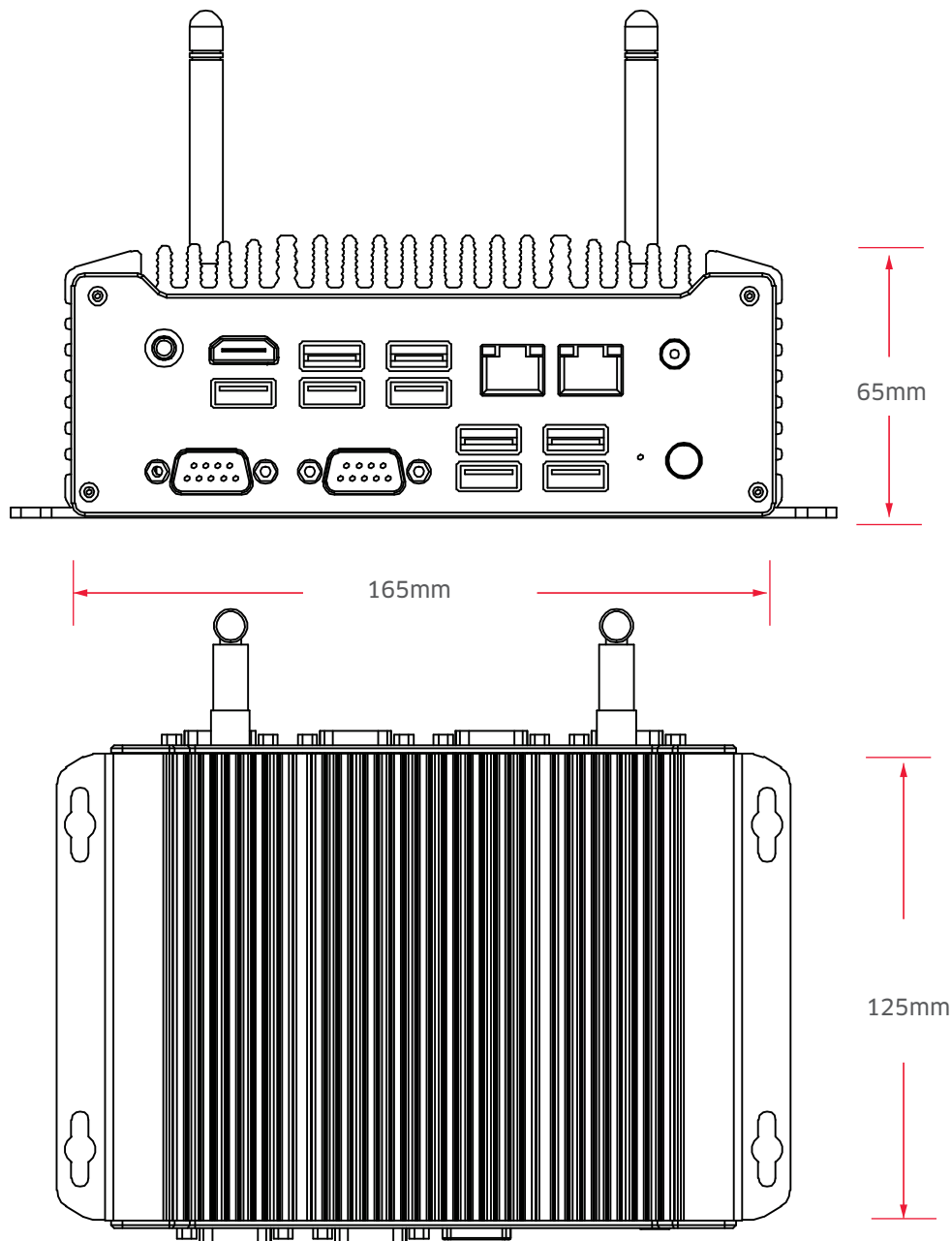
Phoenix (Optional)

Technical Specifications

Processor	CPU	3855U	7100U	7200U
	Base Frequency	1.6 GHz	2.4 GHz	2.5 GHz
	Max Turbo Frequency	/ GHz	/ GHz	3.1 GHz
	Cache	2MB	3MB	3MB
	BIOS	AMI UEFI BIOS		
Memory	Type	Dual Channel SO-DIMM DDR4		
	Max Capacity	32GB		
Display	GPU	Intel Integrated Graphics based on CPU		
	Display via	HDMI+ DP+ VGA optional		
Ethernet	Speed	10/100/1000Mbps		
	Controller	intel i211+intel i219		
	Interface	RJ45		
	Wake on LAN	Yes		
	vPro/AMT	Yes		
Audio	Audio Codec	Realtek HD		
	Interface	2-in-1 Audio port		
Hardware	System temperature, Onboard voltage, Watchdog, Auto power on			
Storage	M.2	1x M.2 for 2242 SSD/4G (SATA definition)		
	SATA3.0	1xSATA3.0		
Expansion	M.2	1x M.2 for WiFi		
	SIM	1		
I/O	LAN	2		
	COM	6 (2xRS485+4xRS232)/(1xRS485+1xVGA+4xRS232)		
	HDMI	1		
	DP	1		
	USB	4x USB2.0 + 4x USB3.2		
	Audio	1 (Line-out+Mic-in)		
	DC-in	1		
	Dimension	Size	165mm x 125mm x 65mm	
Power	Standard port	12V/19V DC-IN/4Pin Power		
	Phoenix port	16-30V Phoenix input (Optional)		
	Peripheral Input	For Fan and SATA		
	LED Indicator	Power indicator		
Temperature	Operating Temp.	-20°C to 60°C		
	Storage Temp.	-40°C to 80°C		
Cooling	Passive			
Operating System	Win7/8/10 64bit, Linux 64 bit			

*All specifications and photos are subject to change without notice.

Dimensions



Copyright ©2018 Maxtang Technology Co., Ltd. All rights reserved. All data is for information purposes only and not guaranteed for legal purposes. Information has been carefully checked and is believed to be accurate however, no responsibility is assumed for inaccuracies. Maxtang and the Maxtang logo and all other trademarks or registered trademarks are the property of their respective owners and are recognized.