

# IXWL-35

Intel Whiskey Lake-U based Embedded Industrial PC



## Features

- CPU: Intel Whiskey Lake-U processor
- Memory: Dual Channel SO-DIMM DDR4 up to 64 GB
- Display: Intel UHD Graphics via HDMI, DP, VGA optional
- Ethernet: 10/100/1000Mbps
- Storage: SATA3.0, 1x M.2 for 2242SSD/4G
- Expansion: M.2 for WiFi
- Power: 12V/19V DC input, Phoenix input optional



IoT Solutions  
Alliance

Industrial Solution  
Builders Specialist

## Introduction

The IXWL-35 is a compact, fanless embedded industrial PC powered by the 8th Gen Intel processor. It supports dual-channel SO-DIMM DDR4 up to 64GB, a TDP rate of 15W great for energy saving. A rich I/O interface includes HDMI, DP, two RJ45 gigabit network controllers, six serial ports(or 5 COM+1 VGA), and eight USB ports that cater to most market needs.

The system is an ideal solution for various industrial applications, features diverse I/O ports for easy integration and ruggedized design for harsh environments. The fanless nature protects it from dust, particles, chemical or moisture ingress. It can provide a great user experience based on its stability and reliability.



H/W Monitor



Watchdog

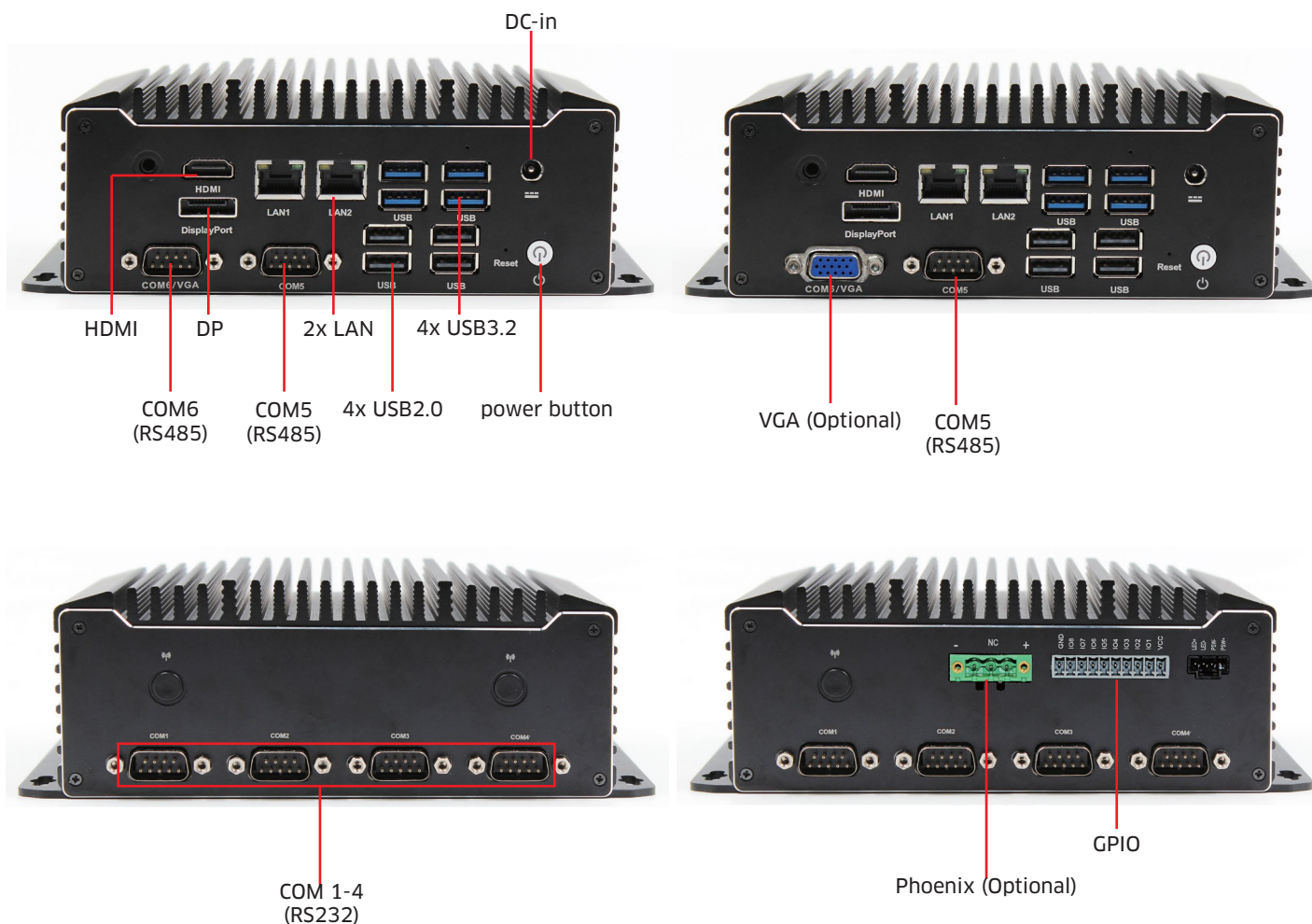


GPIO



Brightness

## I/O Interfaces

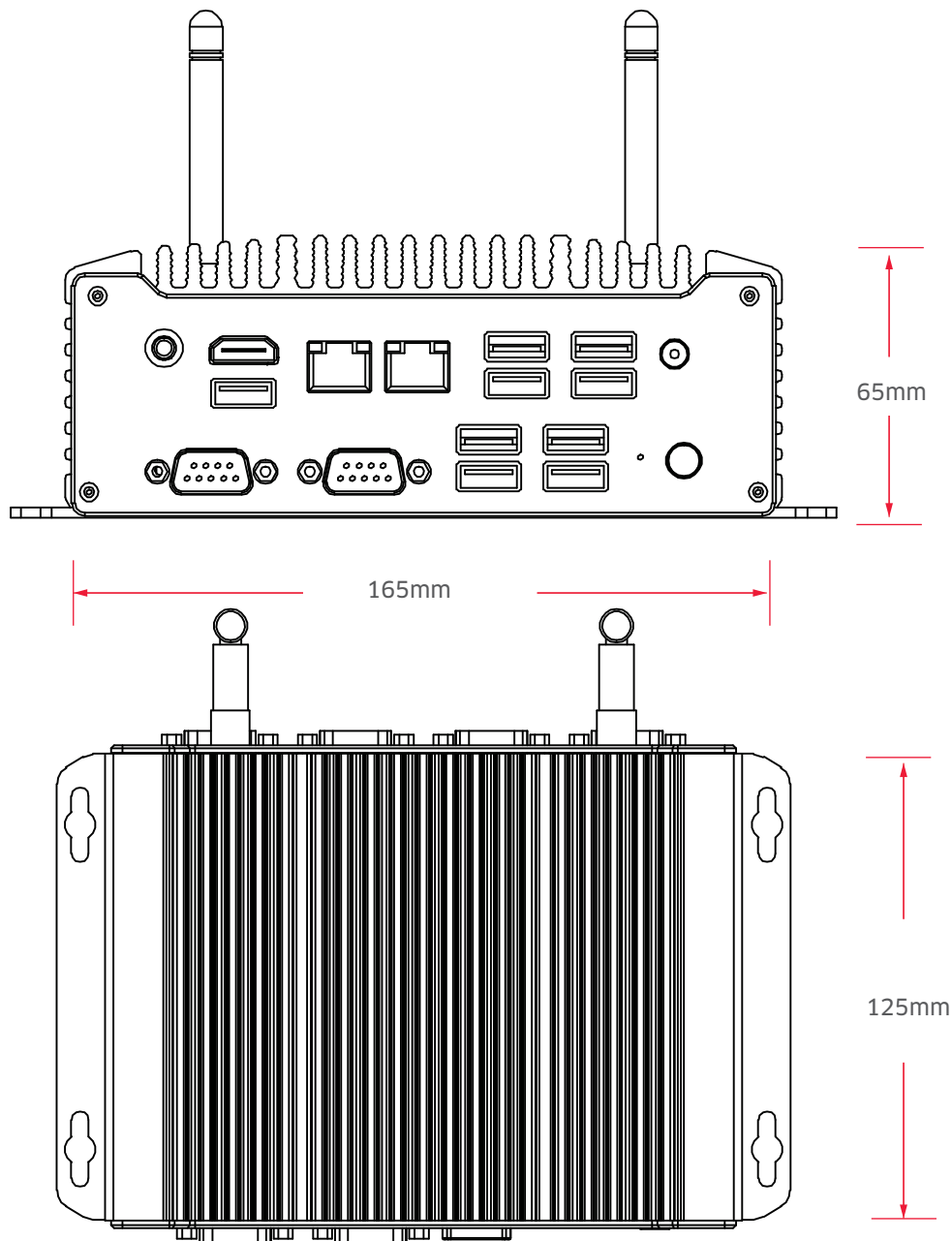


## Technical Specifications

Processor	CPU	Celeron 4205U	i3-8145U	i5-8265U	
	Base frequency	1.8 GHz	2.1 GHz	1.6 GHz	
	Max turbo frequency	/	3.9 GHz	3.9 GHz	
	Cache	2MB	4MB	6 MB	
	TDP	15W			
	BIOS	AMI UEFI BIOS			
Memory	Type	Dual Channel SO-DIMM DDR4			
	Max capacity	64GB			
Display	GPU	Intel UHD Graphics based on CPU			
	Multiple display	HDMI+ DP +VGA (optional)			
Ethernet	Speed	10/100/1000Mbps			
	Controller	1x intel i211 + 1x Intel i219			
	Interface	2x RJ45			
	Wake on LAN	Yes			
Audio	Audio codec	Realtek HD			
	Interface	2-in-1 Audio port			
Hardware		System temperature, Onboard voltage, Watchdog, Auto power on			
Storage	M.2	1x M.2 for 2242 SSD/4G			
	SATA	1x SATA3.0			
Expansion	M.2	1x M.2 for Wi-Fi			
External I/O	COM	2xRS485(or 1xRS485+ VGA) +4xRS232			
	HDMI	1			
	DP	1			
	USB	4x USB2.0 + 4x USB3.2			
	LAN	2			
	Audio	2-in-1 Audio (1x Line-out+1x Mic-in)			
	DC-in	1			
	Internal I/O	USB	1x USB KEY Optional (Dongle)		
	Dimension	Size	165mm x 125mm x 65mm		
Power	Standard input	12V/19V DC IN			
	Phoenix input	16-30V Phoenix input optional			
	Peripheral Input	For Fan and SATA			
	LED Indicator	Power indicator			
Temperature	Operating Temp.	-20°C to 60°C			
	Storage Temp.	-40°C to 80°C			
Cooling		Passive			
Operating System		Win7/8/10 32/64bit, Linux 32/64 bit			

\*All specifications and photos are subject to change without notice.

## Dimensions



Copyright ©2018 Maxtang Technology Co., Ltd. All rights reserved. All data is for information purposes only and not guaranteed for legal purposes. Information has been carefully checked and is believed to be accurate however, no responsibility is assumed for inaccuracies. Maxtang and the Maxtang logo and all other trademarks or registered trademarks are the property of their respective owners and are recognized.