

# IXAPL-35

Intel Apollo Lake based Embedded Industrial PC



## Features

- CPU: Intel Apollo Lake BGA processor
- Memory: Single Channel SO-DIMM DDR3L up to 8GB
- Display: Dual displays via HDMI, DP
- Ethernet: 10/100/1000Mbps
- Storage: 1x M.2 for 2240SSD or 4G, SATA3.0
- Expansion: 1xM.2 for WiFi
- Power: 12V/19V DC input, Phoenix Optional



IoT Solutions  
Alliance  
Industrial Solution  
Builders Specialist

## Introduction

The IXAPL-35 is a small form factor embedded industrial PC based on Intel Apollo Lake processors. It supports single channel SO-DIMM DDR3L up to 8GB with a TDP rate of 15W. Multiple displays via HDMI, DP, VGA optional with Intel Integrated Graphic. A rich interface includes 2xLAN, 6xCOM, 4xUSB3.2, and 4xUSB2.0 caters to most market requirements.

The IXAPL-35 is fanless and ventless, designed to be used in an industrial environment as an ideal solution. It can withstand harsh environments, features extensive I/O options, with a long lifecycle for sustainable development. It has a low power consumption, great for energy saving, retains the robust design of all Maxtang product lines with cost advantages. Provides a great user experience, increases productivity with stability and reliability.



H/W Monitor



Watchdog

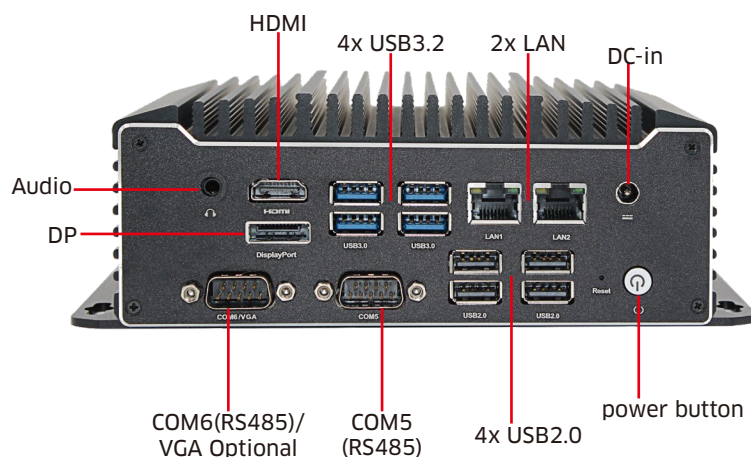


GPIO



Brightness

## I/O Interfaces

COM 1-4  
(RS232)

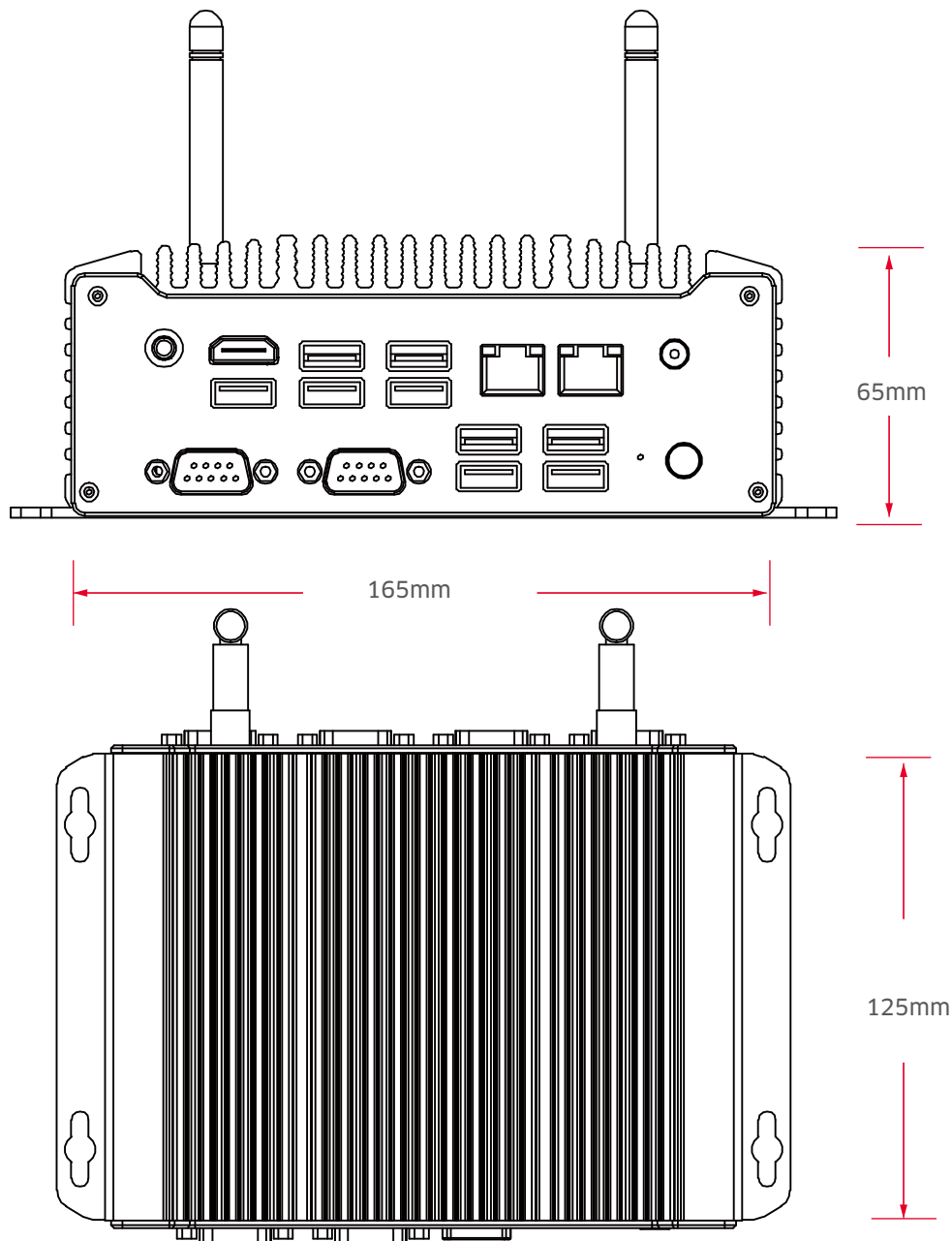
Phoenix (Optional)

## Technical Specifications

Processor	CPU	N3450	J3455	J4205
	Base Frequency	1.1 GHz	1.5 GHz	1.5 GHz
	Burst Frequency	2.2 GHz	2.3 GHz	2.6 GHz
	Cache	2MB L2	2MB	2MB
	BIOS	AMI UEFI BIOS		
Memory	Type	Single Channel SO-DIMM DDR3L		
	Max Capacity	8GB		
Display	GPU	Intel Integrated Graphics based on CPU		
	Display via	HDMI+ DP+ VGA Optional		
Ethernet	Speed	10/100/1000Mbps		
	Controller	intel i211		
	Interface	RJ45		
	Wake on LAN	Yes		
Audio	Audio Codec	Realtek HD		
	Interface	2-in-1 Audio port		
Hardware	System temperature, Onboard voltage, Watchdog, Auto power on			
Storage	M.2	1x M.2 for 2242 SSD/4G (SATA definition)		
	SATA3.0	1x SATA3.0		
Expansion	M.2	1x M.2 for WiFi		
	eMMC	Optional		
I/O	LAN	2		
	COM	6 (2xRS485+4xRS232)/(1xRS485+VGA+4xRS232)		
	HDMI	1		
	DP	1		
	USB	4x USB2.0 + 4x USB3.2		
	Audio	1 (Line-out+ Mic-in)		
	DC-in	1		
	Dimension	Size	165mm x 125mm x 65mm	
Power	Standard port	12V/19V DC-IN / 4Pin Power		
	Phoenix port	12-30V Phoenix input (Optional)		
	Peripheral Input	For Fan and SATA		
	LED Indicator	Power indicator		
Temperature	Operating Temp.	-20°C to 60°C		
	Storage Temp.	-40°C to 80°C		
Cooling	Passive			
Operating System	Win10 64bit, Linux 64 bit			

\*All specifications and photos are subject to change without notice.

## Dimensions



Copyright ©2018 Maxtang Technology Co., Ltd. All rights reserved. All data is for information purposes only and not guaranteed for legal purposes. Information has been carefully checked and is believed to be accurate however, no responsibility is assumed for inaccuracies. Maxtang and the Maxtang logo and all other trademarks or registered trademarks are the property of their respective owners and are recognized.