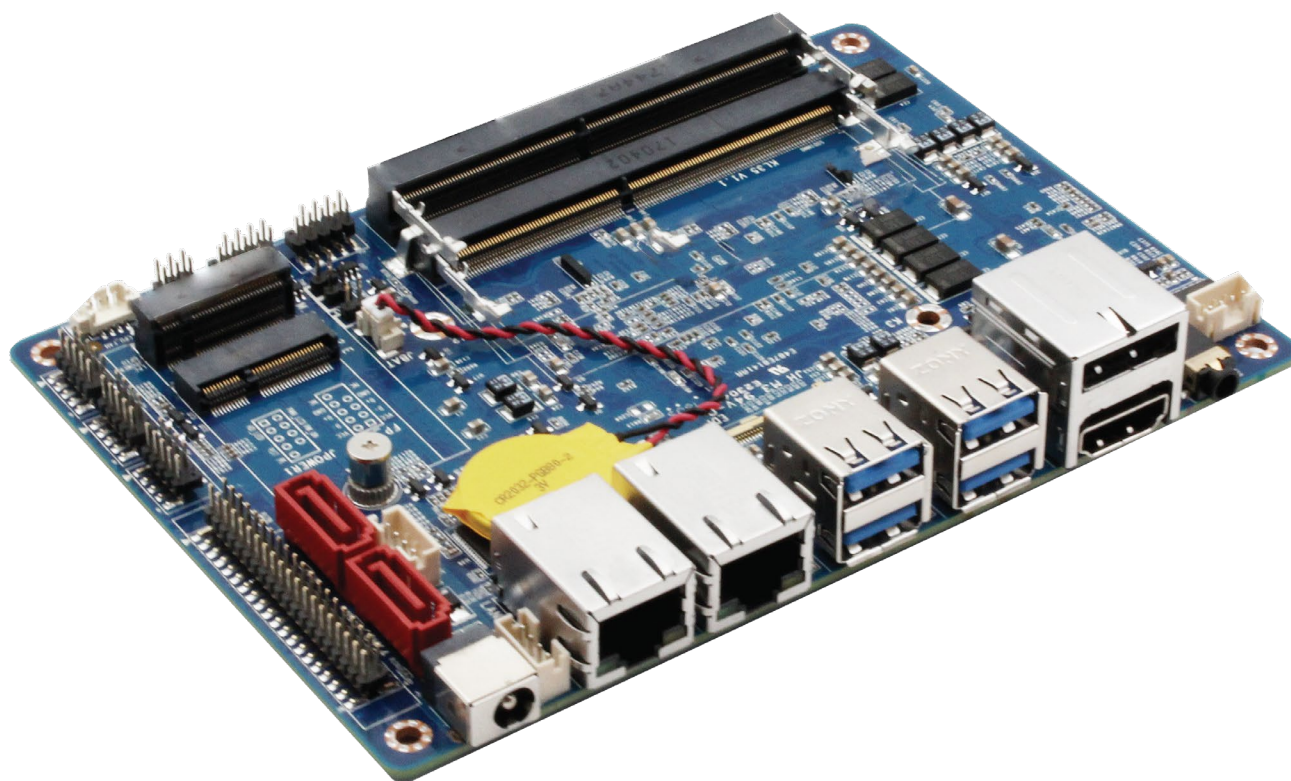


# KL-35

## Intel® Kabylake/Skylake-U based 3.5" Disk Size Motherboard



### Features

- CPU: Intel Skylake-U/Kabylake-U BGA processor
- Memory: Dual Channel DDR4 up to 32GB
- Display: Intel Graphics display via DP, HDMI, eDP/LVDS
- Ethernet: 10/100/1000Mbps
- Storage: SATA3.0, M.2 for 2242 SSD SATA definition
- Expansion: M.2 for WiFi, Mirco SIM
- Power: 12V/19V DC input



IoT Solutions  
Alliance  
Industrial Solution  
Builders Specialist

**Maxtang**<sup>®</sup>

MAXIMIZING YOUR COMPUTING PRODUCTIVITY

## Introduction

The Maxtang KL35 is a 3.5" disk size embedded motherboard based on the Intel Skylake/Kaby-lake-U processors, provides powerful performance with low power consumption. Supports dual-channel SO-DIMM DDR4 up to 32GB, display via HD Graphics through HDMI, DP, and eDP/L-VDS. Features two 10/100/1000 Mbps Ethernet controllers, SATA3.0, M.2 for storage, and micro-SIM for expansion. A rich input/output interface includes 6x COM, 4x USB3.2, 4xUSB2.0, 8x GPIO, Audio Ports (Mic-in+ Line-out) with standard 12V/19V DC-in caters to most market's requirement.

The KL-35 is an ideal solution for various industrial applications. It retains the robust design of all Maxtang product lines at a new cost-effective price point. Its powerful features provide you a great user experience, increase your productivity with stability, reliability. Maxtang is a member of the Intel IoT Solutions Alliance on Industrial Solution Builders Specialist. Our goal is to provide you the best products with high quality and cost advantages.



H/W Monitor



Watchdog

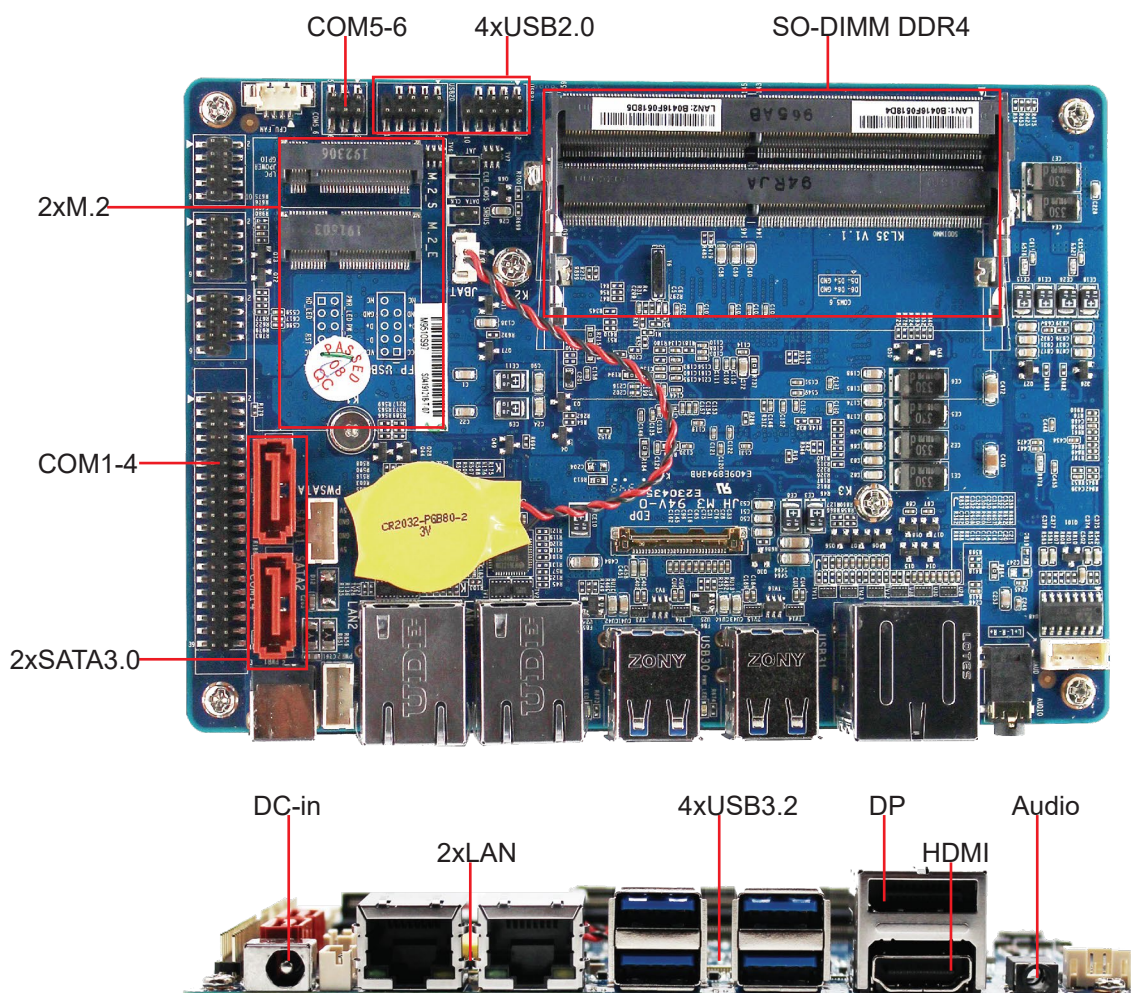


GPIO



Brightness

## I/O Interfaces

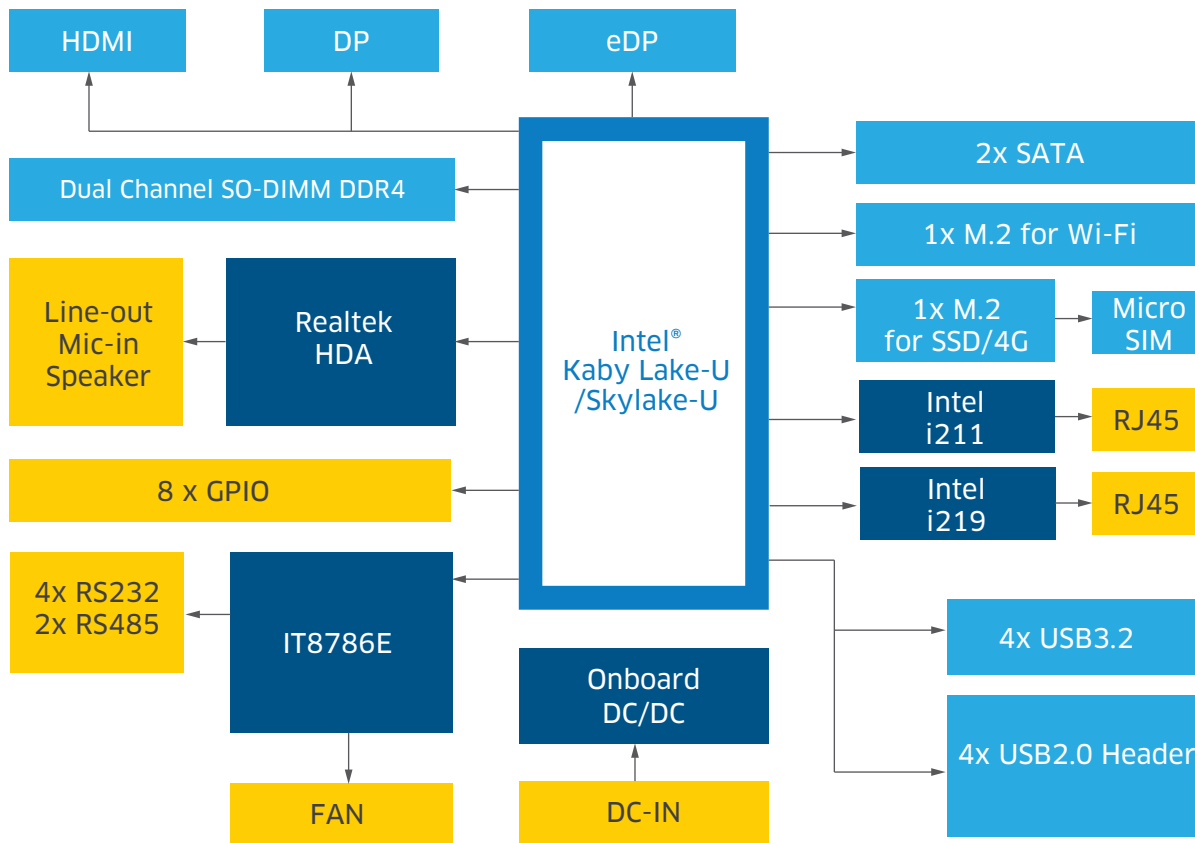


## Technical Specifications

Processor	CPU	3865U	i3-7100U	i5-7200U	i3-6100U	i5-6200U
	Base Frequency	1.8GHz	2.4GHz	2.5GHz	2.3GHz	2.3GHz
	Max Turbo Frequency	/	/	3.1 GHz	/	2.8GHz
	Cache	2MB	3MB	3MB	3MB	3MB
	TDP	15W	15W	15W	15W	15W
	BIOS	AMI UEFI BIOS				
	Memory	Type	SO-DIMM Dual Channel DDR4			
Max. Capacity		32GB				
Display	GPU	Intel HD Graphics based on CPU				
	Display via	1xHDMI + 1xDP + 1x eDP (can be expanded to LVDS via daughter board)				
Ethernet	Speed	10/100/1000 Mbps				
	Controller	intel i211 + intel i219				
	Interface	RJ45				
	Wake on LAN	Yes				
	vPro/AMT	Yes, based on the specified CPU and intel i219 ethernet chip				
Audio	Audio Codec	Realtek HD				
	Interface	Line-out and mic-in in one, amplifier header				
Hardware	CPU system temperature, on-board DC-in voltage, watchdog, auto power on					
Storage	M.2	1x M.2 for 4G/2242 SSD (SATA definition)				
	SATA3.0	2 (only 1 if Celeron is onboard)				
Expansion	M.2	1x M.2 for Wi-Fi				
	Micro SIM	1				
I/O Interface	LAN	2				
	COM	6*header (4x RS232+ 2x RS485 COM1- 4 with power, optional)				
	USB3.2	4				
	USB2.0	4* Header				
	Audio	1 (Line-out+Mic-in in one)				
	GPIO	8				
	LPC	Optional				
Dimension	Size	146 mm x 102mm				
	Board Type	3.5" Disk Size SBC				
Power	Standard Port	12V/19V DC-in/4-pin power				
	Peripheral Input	For Fan and SATA				
	LED Indicator	Power indicator				
Temperature	Operating Temp.	-20°C to 60°C				
	Storage Temp.	-40°C to 80°C				
Operating System	Win7 64bit, Win10 64bit, Linux 32/64bit					

\* All specifications and photos are subject to change without notice.

## Functional Block Diagram



Copyright © 2018 Maxtang Technology Co. Ltd. All rights reserved. All data is for information purposes only and not guaranteed for legal purposes. Information has been carefully checked and is believed to be accurate however, no responsibility is assumed for inaccuracies. Maxtang and the Maxtang logo and all other trademarks or registered trademarks are the property of their respective owners and are recognized.