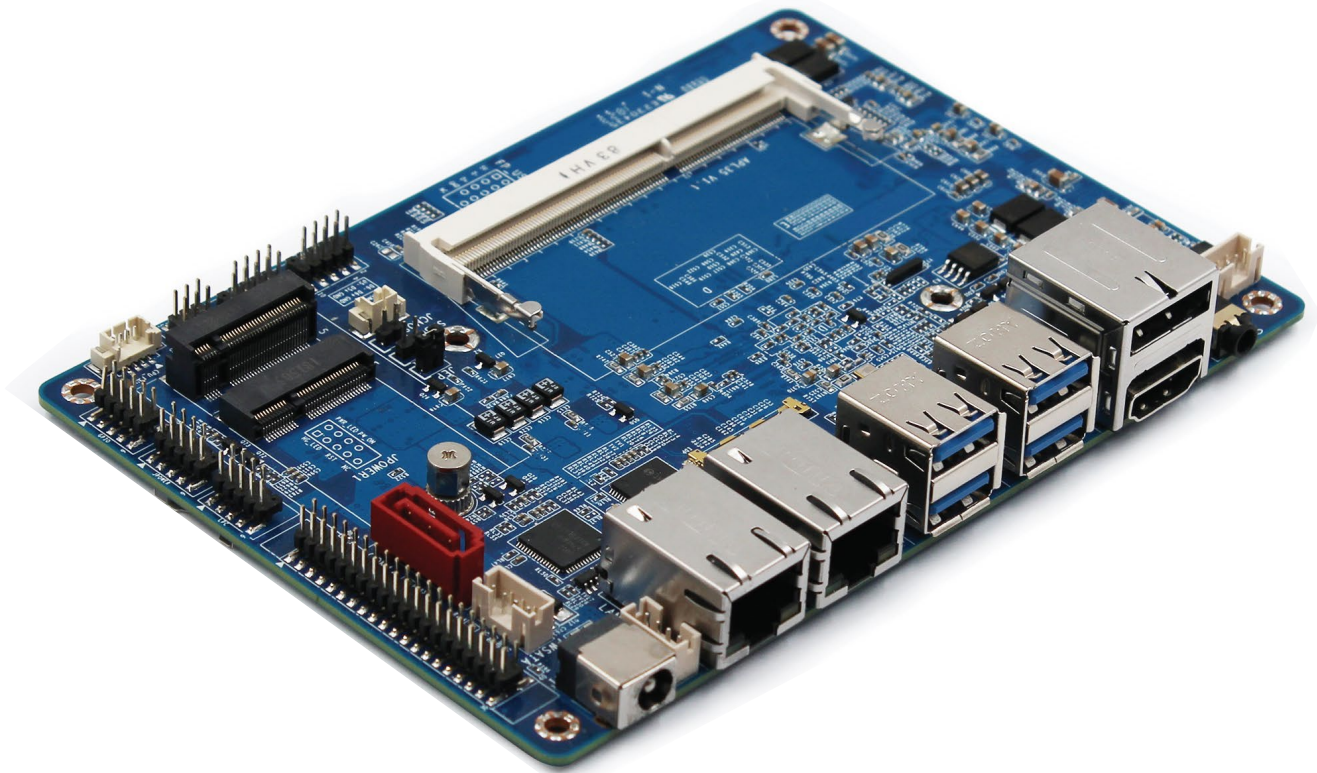


# APL-35

## Intel® Apollo Lake based 3.5" Disk Size Motherboard



### Features

- CPU: Intel Apollo Lake BGA Processors
- Memory: Single Channel SO-DIMM DDR3L up to 8 GB
- Display: Intel Integrated Graphics display via HDMI, DP, eDP/LVDS
- Ethernet: 10/100/1000Mbps
- Storage: SATA3.0, M.2
- Expansion: M.2 for WiFi, Micro SIM
- Power: 12V/19V DC input



IoT Solutions  
Alliance  
Industrial Solution  
Builders Specialist

## Introduction

The Maxtang SBC-APL35 is an embedded motherboard based on the Intel Apollo Lake Celeron and Pentium processor, provides powerful performance with low power consumption. Supports Single-channel SO-DIMM DDR3L up to 8GB, display via HD Graphics through HDMI, DP, and eDP/LVDS. Features two 10/100/1000 Mbps Ethernet controllers, one M.2, SATA3.0 for storage. Besides, another M.2 for WiFi, micro-SIM for expansion, eMMC optional. A rich input/output interface includes 6x COM, 4x USB3.2, 4xUSB2.0, 8x GPIO, Audio Ports (Mic-in+ Line-out) with standard 12V/19V DC-in, caters to most market's requirement.

The SBC-APL35 is an ideal solution for various industrial applications. It retains the robust design of all Maxtang product lines at a new cost-effective price point. Its powerful features provide you a great user experience, increase your productivity with stability, reliability. Maxtang is a member of the Intel IoT Solutions Alliance on Industrial Solution Builders Specialist. Our goal is to provide you the best products with high quality and cost advantages.



H/W Monitor



Watchdog

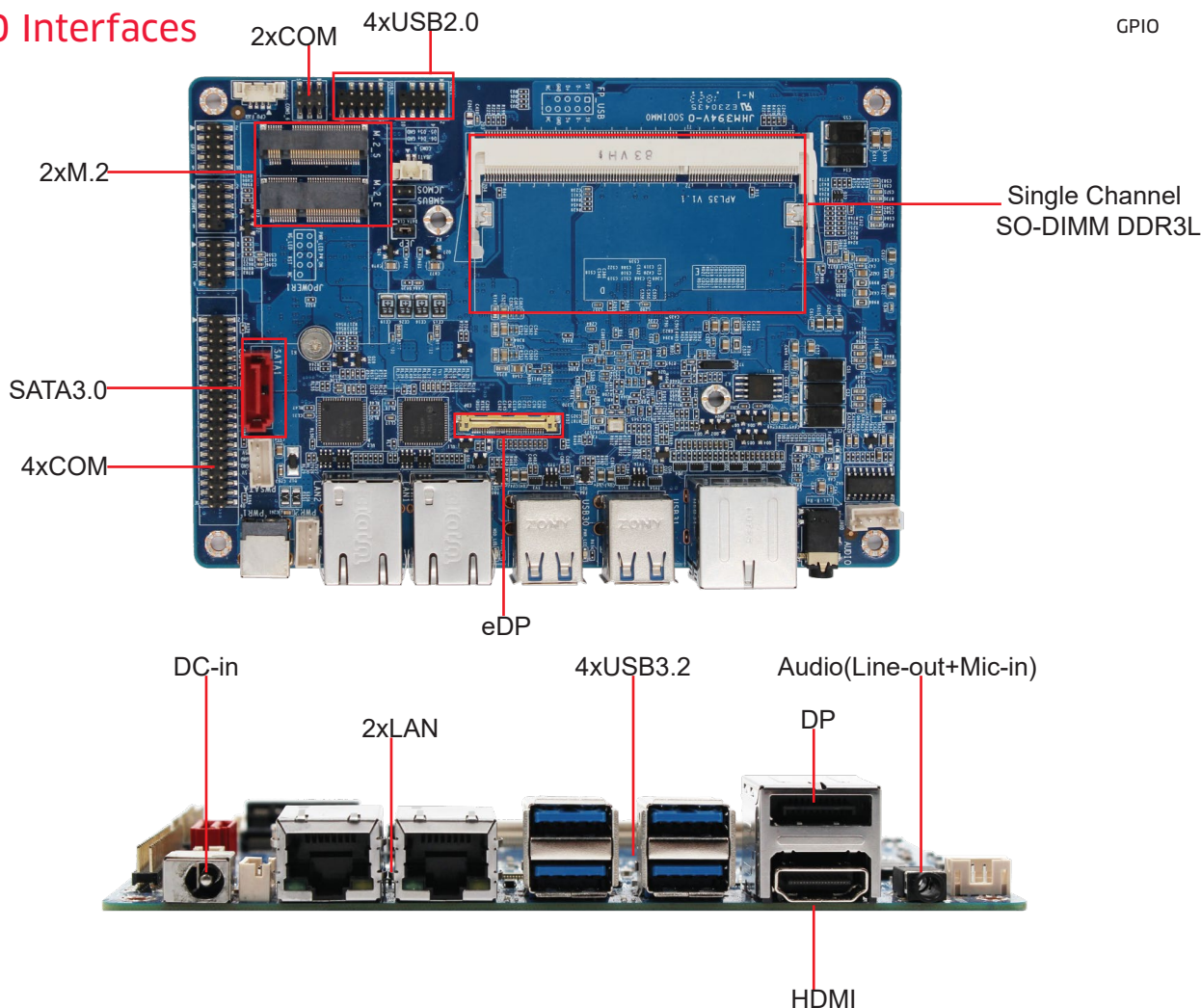


GPIO



Brightness

## I/O Interfaces

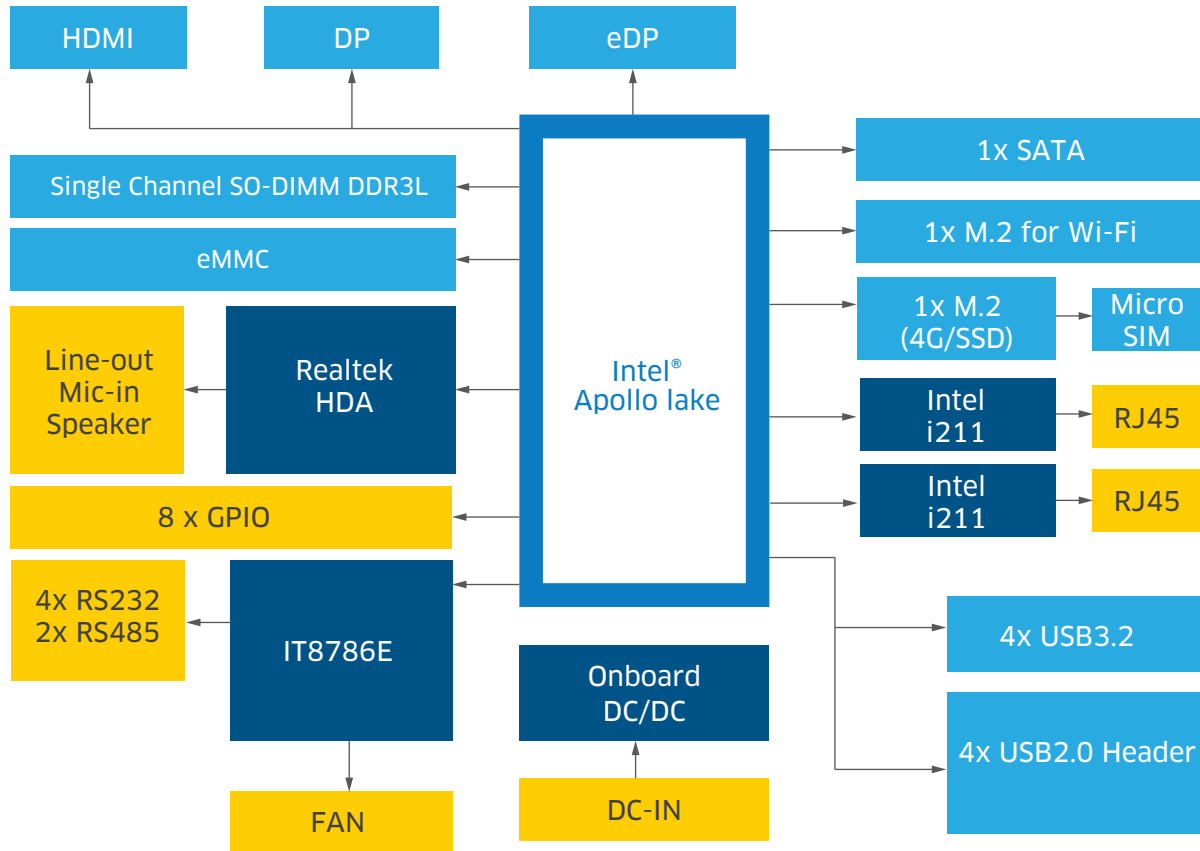


## Technical Specifications

Processor	CPU	J3355	J3455	J4205	N3350	N3450	N4200
	Base Frequency	2.0GHz	1.5GHz	1.5GHz	1.1GHz	1.1GHz	1.1GHz
	Burst Frequency	2.5GHz	2.3GHz	2.6GHz	2.4GHz	2.2GHz	2.5GHz
	Cache	2MB	2MB	2MB	2MBL2	2MBL2	2MBL2
	BIOS	AMI UEFI BIOS					
Memory	Type	Single Channel SO-DIMM DDR3L					
	Max. Capacity	8GB					
Display	GPU	Intel Integrated Graphics based on CPU					
	Display via	1xHDMI + 1xDP +1x eDP					
Ethernet	Speed	10/100/1000Mbps					
	Controller	Intel i211					
	Interface	RJ45					
	Wake on LAN	Yes					
Audio	Audio Codec	Realtek HD					
	Interface	Line-out and Mic-in in one, Amplifier header					
Hardware	CPU/system temperature, Onboard DC-IN Voltage, Watchdog						
Storage	M.2	1 x M.2 for 4G or 2242 SSD (SATA definition)					
	SATA3.0	1					
	eMMC	Optional					
Expansion	M.2	1 x M.2 for Wi-Fi					
	Micro SIM	1					
I/O Interface	LAN	2					
	COM	6*header (4 x RS232 + 2 x RS485)					
	USB3.2	4					
	USB2.0	4*header					
	Audio	1 (Line-out+Mic-in)					
	GPIO	8					
	LPC	Optional					
	Dimension	Size	146mm x 102mm				
Power	Board type	3.5" Disk Size SBC					
	Standard Port	12V/19V DC-in /4 Pin Power					
	Peripheral Input	For Fan and SATA					
Temperature	LED Indicator	Power indicator					
	Operating Temp.	-20°C to 60°C					
	Storage Temp.	-40°C to 80°C					
Operating System	Win10 64bit, Linux						

\* All specifications and photos are subject to change without notice.

## Functional Block Diagram



Copyright © 2018 Maxtang Technology Co. Ltd. All rights reserved. All data is for information purposes only and not guaranteed for legal purposes. Information has been carefully checked and is believed to be accurate however, no responsibility is assumed for inaccuracies. Maxtang and the Maxtang logo and all other trademarks or registered trademarks are the property of their respective owners and are recognized.